

AIR DIAPHRAGM PUMP

ALUMINIUM ALLOY PUMP

Air Driven Pumping Solution

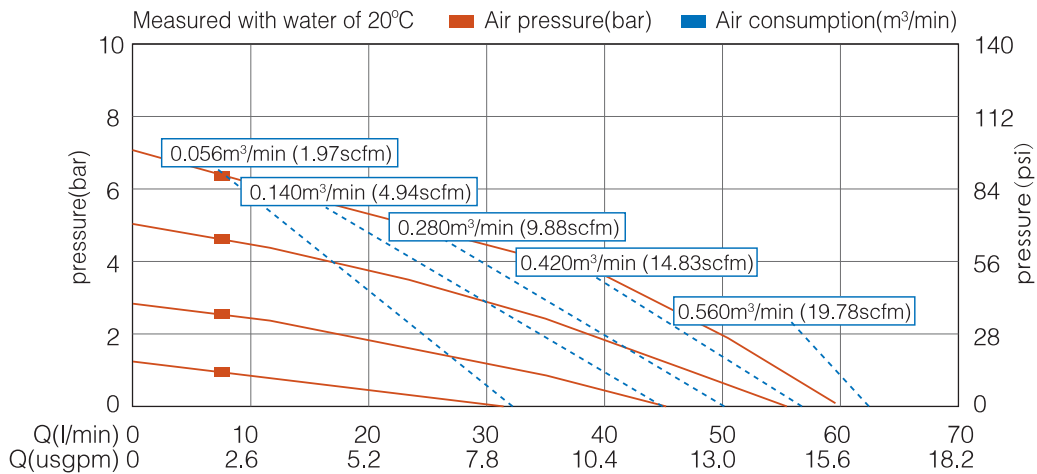
TA15 / TA20 Aluminium Alloy Pump



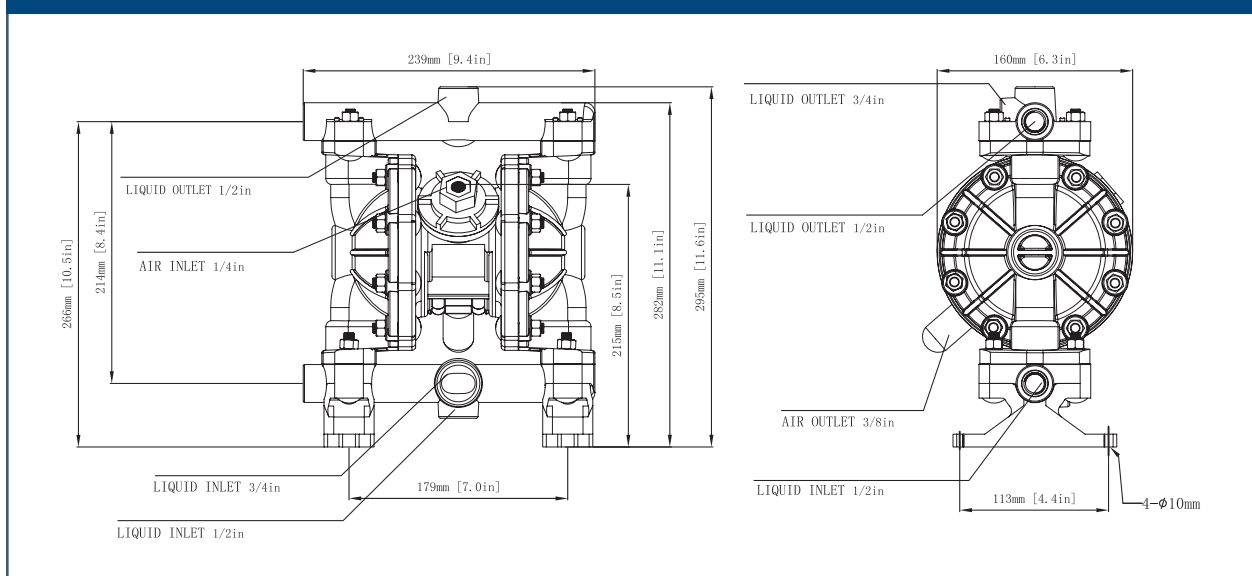
Technical Parameters

Max. Suction Lift	dry 4m wet 7.6m
Suction height changes with the different combinations of ball, seat and diaphragm materials.	
Max. particle diameter	2.5 mm
Suction and discharge size	1/2 3/4 in /Npt
Air inlet size	1/4 in
Max. flow rate	57 L/min
Max. head	84 m
Max. air inlet pressure	8.4 bar
Max. air consumption	28 scfm (0.672m ³ /min)
Main body material	Aluminium Alloy

Performance Curve



Installation Size



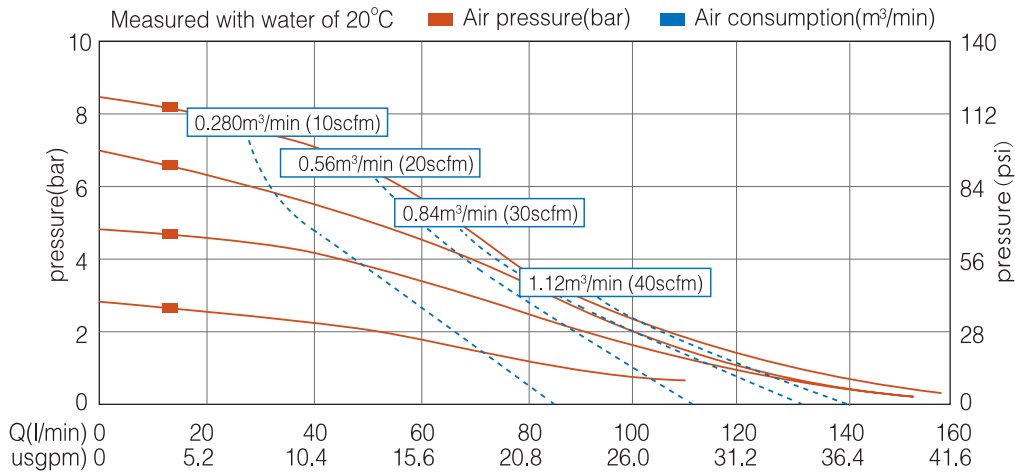
TA25 Aluminium Alloy Pump



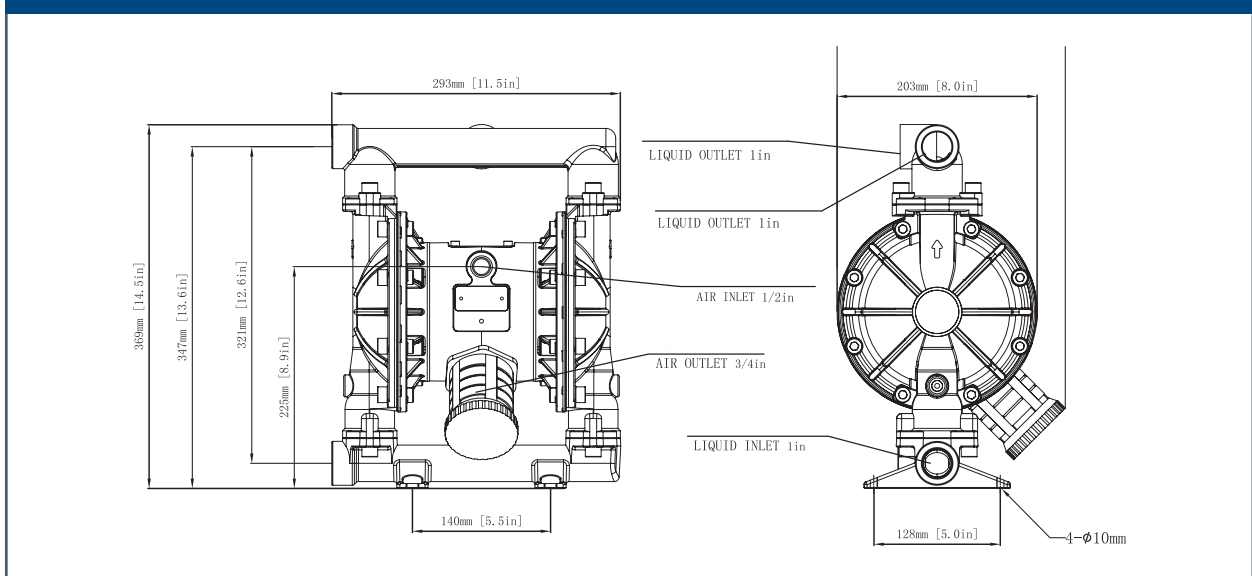
Technical Parameters

Max. Suction Lift	dry 4m wet 8m
Suction height changes with the different combinations of ball, seat and diaphragm materials.	
Max. particle diameter	4 mm
Suction and discharge size	1in /Npt /F
Air inlet size	1/2 in
Max. flow rate	157 L/min
Max. head	84 m
Max. air inlet pressure	8.4 bar
Max. air consumption	60 scfm (1.7m ³ /min)
Main body material	Aluminium Alloy

Performance Curve



Installation Size



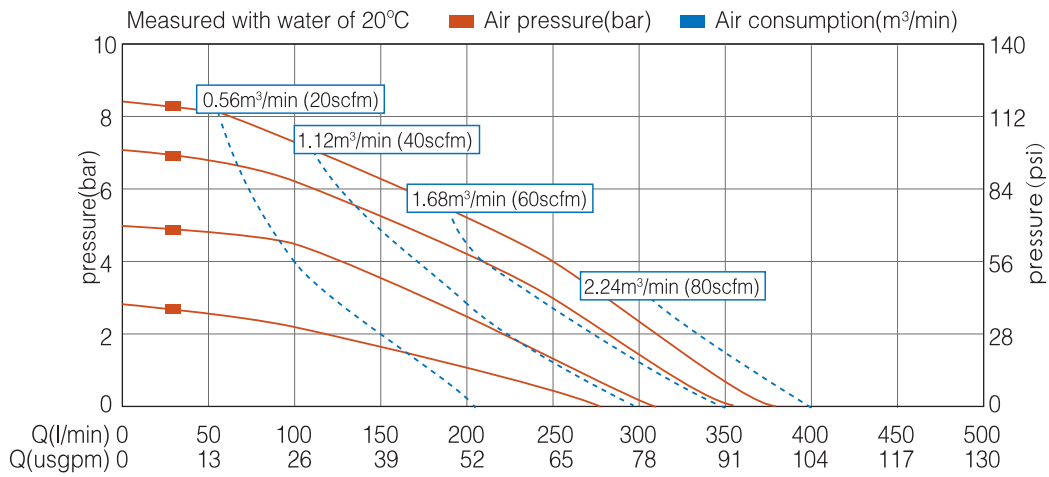
TA40 Aluminium Alloy Pump



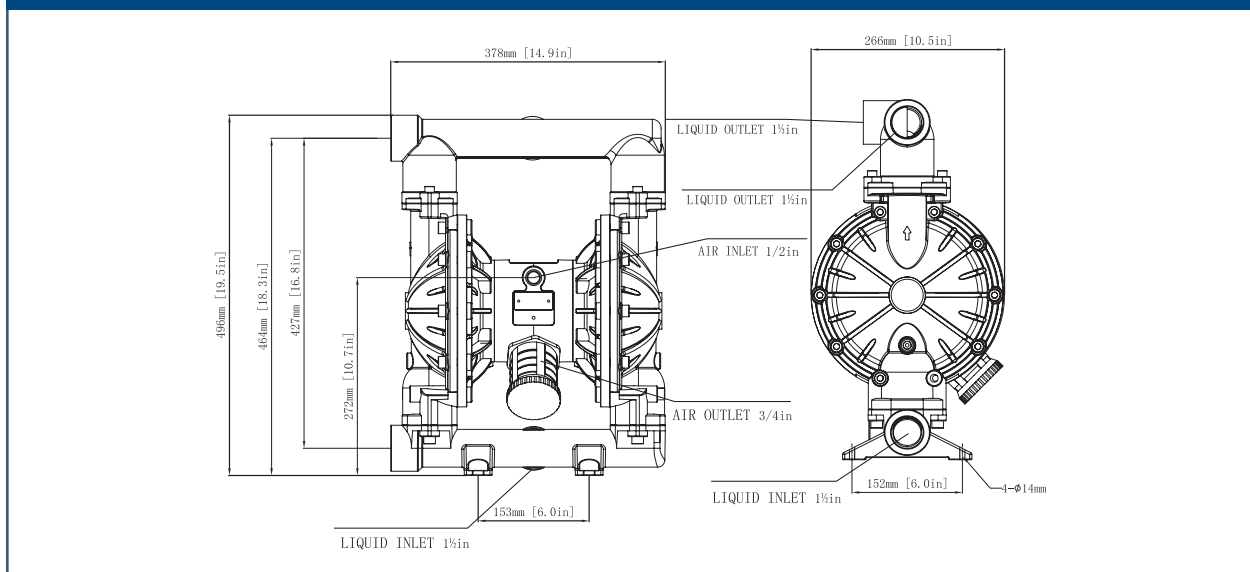
Technical Parameters

Max. Suction Lift	dry 5m wet 8m
Suction height changes with the different combinations of ball, seat and diaphragm materials.	
Max. particle diameter	5 mm
Suction and discharge size	1 1/2 in /Npt /F
Air inlet size	1/2 in
Max. flow rate	358 L/min
Max. head	84 m
Max. air inlet pressure	8.4 bar
Max. air consumption	125 scfm (3.5m ³ /min)
Main body material	Aluminium Alloy

Performance Curve



Installation Size



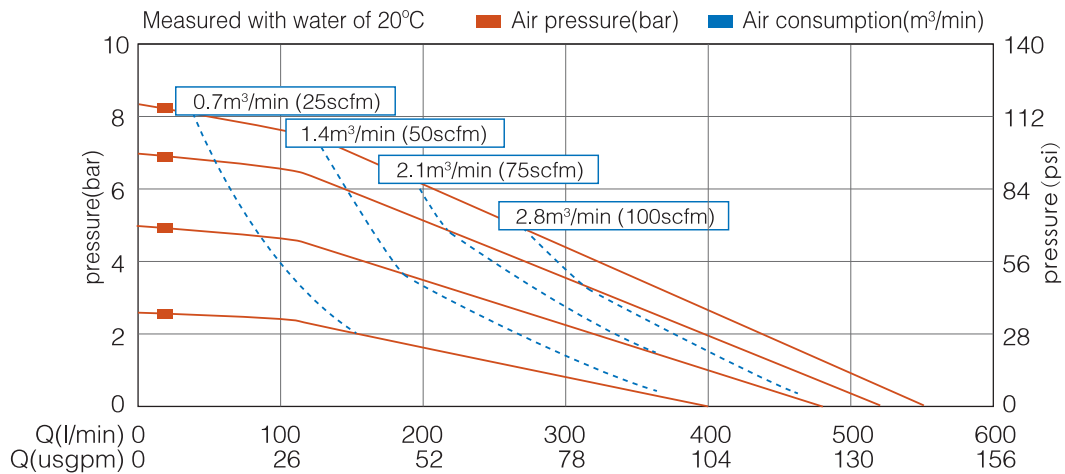
TA50 Aluminium Alloy Pump



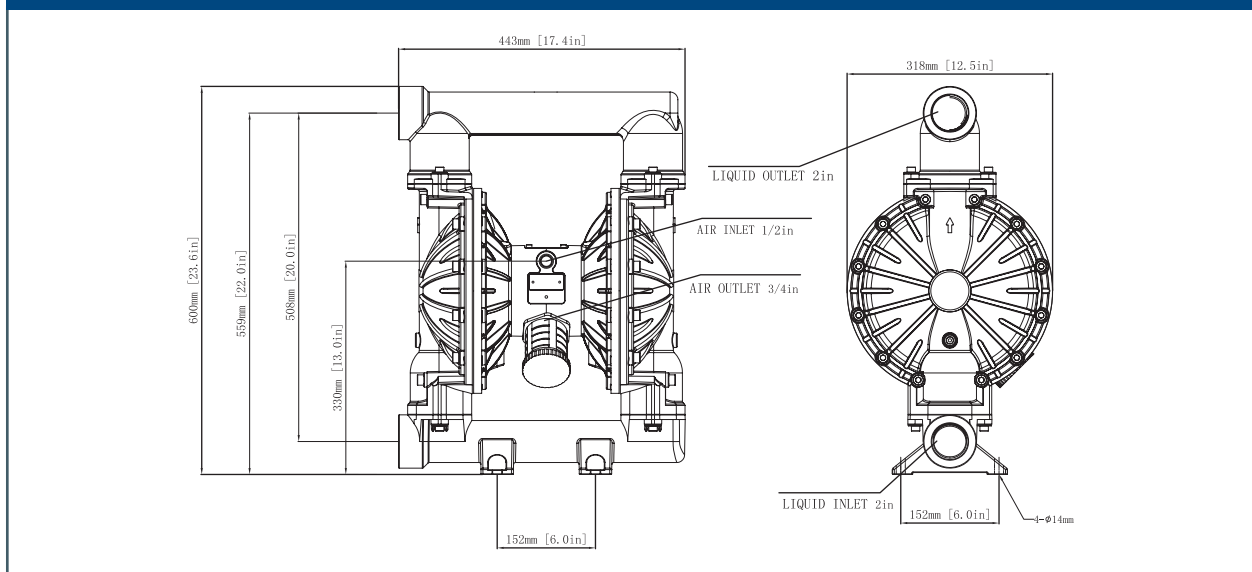
Technical Parameters

Max. Suction Lift	dry 5m wet 8m
Suction height changes with the different combinations of ball, seat and diaphragm materials.	
Max. particle diameter	6 mm
Suction and discharge size	2 in /Npt /F
Air inlet size	1/2 in
Max. flow rate	587 L/min
Max. head	84 m
Max. air inlet pressure	8.4 bar
Max. air consumption	175 scfm (4.9m ³ /min)
Main body material	Aluminium Alloy

Performance Curve



Installation Size



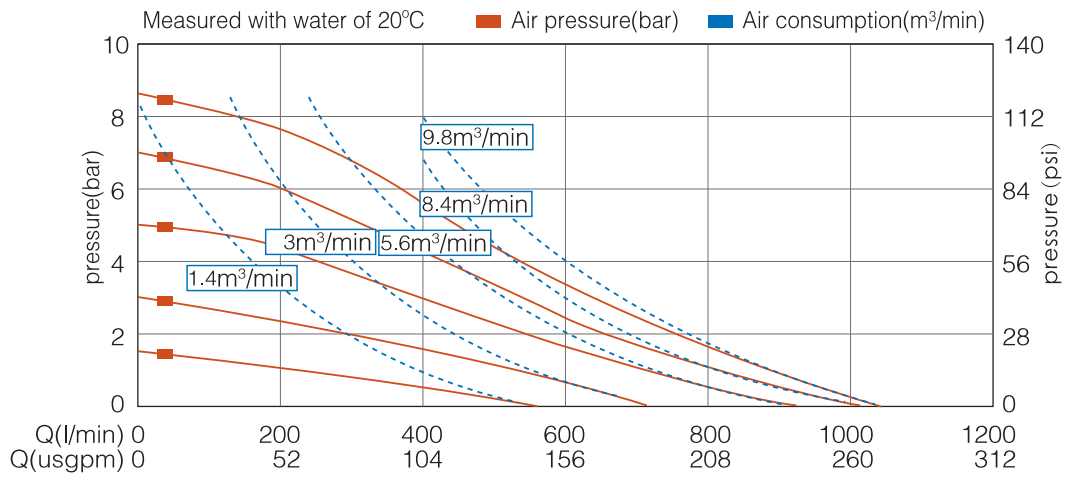
TA80 Aluminium Alloy Pump



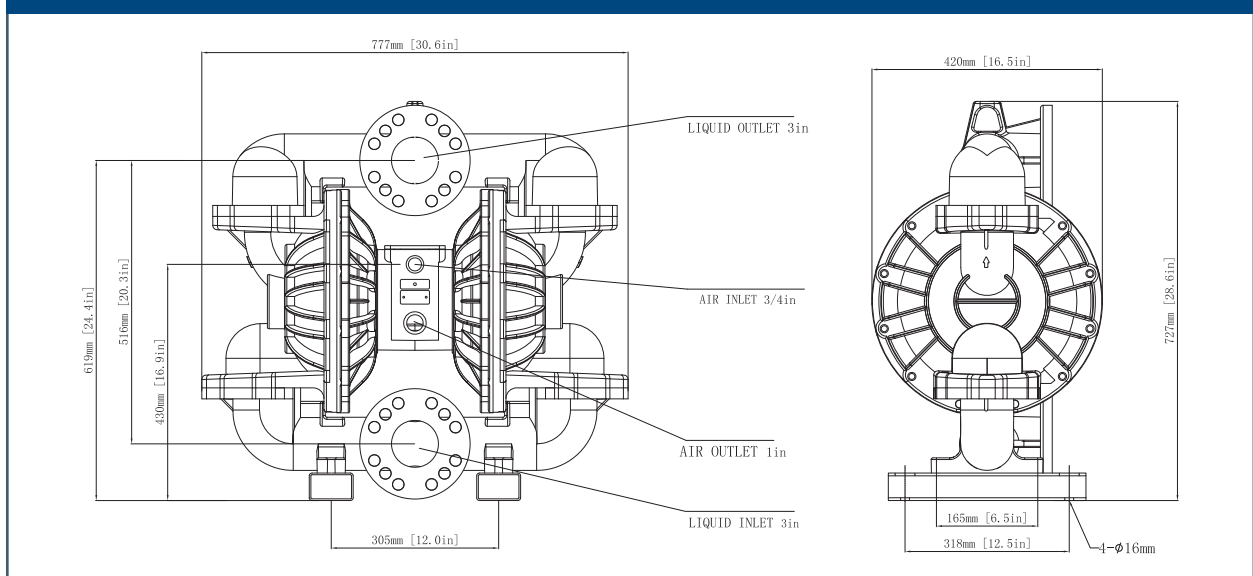
Technical Parameters

Max. Suction Lift	dry 5m wet 8m
Suction height changes with the different combinations of ball, seat and diaphragm materials.	
Max. particle diameter	9.4 mm
Suction and discharge size	3 in/Npt /F
Air inlet size	3/4 in
Max. flow rate	1060 L/min
Max. head	84 m
Max. air inlet pressure	8.4 bar
Max. air consumption	325 scfm (9.1m ³ /min)
Main body material	Aluminium Alloy

Performance Curve



Installation Size





Air Driven Pumping Solution

Distributed by