

## SERVICE & OPERATING MANUAL



# Model S20 Non-Metallic Design Level 2



CE

U.S. Patent #  
400,210  
5,996,627

Engineering Data and Temperature Limitations .....	1	Main Air Valve Assembly Parts List .....	18
Explanation of Pump Nomenclature .....	2	Air Distribution Valve Servicing .....	19
Performance Curve, Model S20 Non-Metallic Design Level 2 .....	3	Air Distribution Valve with Stroke Indicator Options .....	20
Dimensions: S20 Non-Metallic .....	4	Air Distribution Valve with Stroke Indicator Parts List .....	20
Metric Dimensions: S20 Non-Metallic .....	5	Air Distribution Valve with Stroke Indicator Servicing .....	21
Dimensions: S20 Non-Metallic with Spill Prevention .....	6	Solenoid Shifted Air Valve Drawing .....	22
Metric Dimensions: S20 Non-Metallic with Spill Prevention .....	7	Solenoid Shifted Air Valve Parts List .....	22
Principle of Pump Operation .....	8	Solenoid Shifted Air Distribution Valve option .....	23
Installation and Start-up .....	8	Pilot Valve Assembly Drawing .....	24
Air Supply .....	8	Pilot Valve Assembly Parts List .....	24
Air Valve Lubrication .....	8	Pilot Valve Servicing .....	25
Air Line Moisture .....	8	Diaphragm Service Drawing, Non-Overlay .....	26
Air Inlet and Priming .....	8	Diaphragm Service Drawing, with Overlay .....	26
Between Uses .....	8	Diaphragm Servicing .....	27
Installation Guide .....	9	Overlay Diaphragm Service .....	27
Important Safety Information .....	10	Pumping Hazardous Liquids .....	28
Material Codes .....	10	Converting the pump for piping the exhaust air .....	28
Troubleshooting .....	11	Exhaust Conversion Drawing .....	28
Warranty .....	11	Converted Exhaust Illustration .....	28
Composite Repair Parts Drawing .....	12	Modular Check Valve Servicing .....	29
Overlay Option Drawing .....	12	Modular Check Valve Drawing .....	29
Composite Repair Parts List .....	13	Dual Port Option Drawing .....	30
RuppGUARD™ Spill Prevention Option for Virgin PTFE Equipped Pumps .....	14	Dual Porting Options .....	31
RuppGUARD™ Spill Prevention Repair Parts List .....	14	Dual porting of both suction and discharge ends of the pump .....	31
RuppGUARD™ Spill Prevention Concept .....	15	Single porting of the suction and dual porting of the pump discharge .....	31
RuppGUARD™ Spill Prevention Option Diaphragm Servicing .....	15	Dual porting of the suction and single porting of the pump discharge .....	31
Filling RuppGUARD™ Chambers with Liquid .....	15	Leak Detection Options Drawing .....	32
RuppGUARD™ Spill Prevention Option for TPE Equipped Pumps .....	16	RuppTech® Electronic Leak Detector Installation .....	32
RuppGUARD™ Spill Prevention Repair Parts List .....	16	Mechanical Leak Detector Installation .....	32
RuppGUARD™ Spill Prevention Concept with TPE Diaphragms .....	17	RuppTech® Pulse Output Kit Drawing .....	33
RuppGUARD™ Spill Prevention Option with TPE Diaphragm .....	17	RuppTech® Pulse Output Kit Option .....	33
Air Distribution Valve Assembly Drawing .....	18	Exhaust Port or Auxiliary Muffler Setup .....	33
		Integral Muffler Setup .....	31

WARREN RUPP®, INC. • A Unit of IDEX Corporation • P.O. Box 1568, Mansfield, Ohio 44901-1568 USA • Telephone (419) 524-8388 • Fax (419) 522-7867 • [www.warrenrupp.com](http://www.warrenrupp.com)

520-209-000 9/03

©Copyright 2003 Warren Rupp, Inc. All rights reserved.

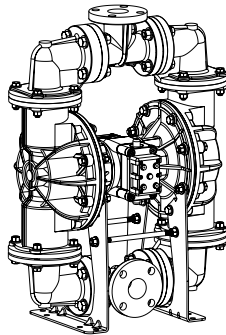


**WARREN  
RUPP®**

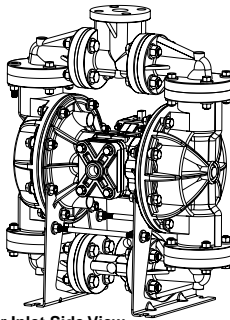
Quality System  
ISO9001 Certified

Environmental  
Management System  
ISO14001 Certified

**IBEX**  
IBEX CORPORATION



Air Exhaust Side View



Air Inlet Side View

CE

U.S. Patent #  
5,851,109; 5,996,627;  
400,210  
Other U.S. Patents  
Applied for

**SANDPIPER®**  
A WARREN RUPP PUMP BRAND

## S20 Non-Metallic Design Level 2 Ball Valve

**Air-Powered  
Double-Diaphragm Pump**

ENGINEERING, PERFORMANCE  
& CONSTRUCTION DATA

<b>INTAKE/DISCHARGE PIPE SIZE</b> 2" ANSI Flange or PN10 50mm DIN Flange	<b>CAPACITY</b> 0 to 150 US gallons per minute (0 to 568 liters per minute)	<b>AIR VALVE</b> No-lube, no-stall design	<b>SOLIDS-HANDLING</b> Up to .66 in. (17mm)	<b>HEADS UP TO</b> 100 psi or 231 ft. of water (7 bar or 70 meters)	<b>DISPLACEMENT/STROKE</b> .36 US gallon / 1.36 liter
--	---	---	--	---	--

**CAUTION!** Operating temperature limitations are as follows:

### Materials

	Operating Temperatures	
	Maximum	Minimum
<b>Santoprene®</b> Injection molded thermoplastic elastomer with no fabric layer. Long mechanical flex life. Excellent abrasion resistance.	275°F 135°C	-40°F -40°C
<b>Virgin PTFE</b> Chemically inert, virtually impervious. Very few chemicals are known to react chemically with PTFE: molten alkali metals, turbulent liquid or gaseous fluorine and a few fluoro-chemicals such as chlorine trifluoride or oxygen difluoride which readily liberate free fluorine at elevated temperatures.	220°F 104°C	-35°F -37°C
<b>Polypropylene</b>	180°F 82°C	32°F 0°C
<b>UHMW PE</b>	180°F 82°C	-35°F -37°C

For specific applications, always consult the Warren Rupp "Chemical Resistance Chart"

SANDPIPER® pumps are designed to be powered only by compressed air.

# Explanation of Pump Nomenclature

## S20 Non-Metallic - Design Level 2- Ball Valve

Model	Pump Brand	Pump Size	Check Valve Type	Design Level	Wetted Material	Diaphragm/Check Valve Materials	Check Valve Seat	Non-Wetted Material Options	Porting Options	Pump Style	Pump Options	Kit Options	Shipping Weight lbs. (kg)
S20B2P1PQAS000.	S	20	B	2	P	1	P	Q	A	S	0	00.	117 (53)
S20B2K1KQAS000.	S	20	B	2	K	1	K	Q	A	S	0	00.	117 (53)
S20B2P2PQAS000.	S	20	B	2	P	2	P	Q	A	S	0	00.	151 (68)
S20B2K2KQAS000.	S	20	B	2	K	2	K	Q	A	S	0	00.	151 (68)
S20B2P3PQAV000.	S	20	B	2	P	3	P	Q	A	V	0	00.	148 (67)
S20B2K3KQAV000.	S	20	B	2	K	3	K	Q	A	V	0	00.	189 (86)
S20B2P4PQAV000.	S	20	B	2	P	4	P	Q	A	V	0	00.	148 (67)
S20B2K4KQAV000.	S	20	B	2	K	4	K	Q	A	V	0	00.	189 (86)

### Pump Brand

S= SANDPIPER®

### Pump Size

20=2"

### Check Valve Type

B=Ball

### Design Level

2= Design Level 2

### Wetted Material

K=PVDF

P= Polypropylene

### Diaphragm Check Valve Materials

1= Santoprene/Santoprene

2= PTFE-Santoprene Backup/PTFE

3= PTFE Pumping, PTFE-Santoprene Backup Driver/PTFE

4= Santoprene Pumping, Santoprene Driver/Santoprene

### Check Valve Seat

K= PVDF

P= Polypropylene

### Non-Wetted Material Options

A= Painted Aluminum

J= Painted Aluminum PTFE

Q= Epoxy Coated Aluminum

K= PTFE Coated Aluminum

L= PTFE Coated Aluminum with PTFE Coated Hardware

R= Epoxy Coated Aluminum with PTFE Coated Hardware

### Porting Options

A= ANSI Flange

D= DIN Flange

7= Dual Porting (ANSI)

8= Top Dual Porting (ANSI)

9= Bottom Dual Porting (ANSI)

### Pump Style

D= RuppGUARD™ with Electronic

Leak Detection (110V)

E= RuppGUARD™ with Electronic

Leak Detection (220V)

M= RuppGUARD™ with Mechanical

Leak Detection

S= Standard

V= RuppGUARD™ with Visual

Leak Detection

### Pump Options

0= None

1= 3M Muffler

2= Mesh Muffler

3= High temperature Air Valve

w/Encapsulated Muffler

4= High temperature Air Valve

w/3M Muffler

5= High temperature Air Valve

w/Mesh Muffler

### Kit Options

00.=None

P0.=0-30VDC Pulse Output Kit

P1.=Intrinsically-Safe 10-30VDC

Pulse Output Kit

P2.=110/120 or 220/240VAC

Pulse Output Kit

P3.=Intrinsically-Safe 110/120VAC

Pulse Output Kit

P4.=Intrinsically-Safe 220/240VAC

Pulse Output Kit

E0.=Solenoid Kit with 24VDC Coil

E1.=Solenoid Kit with 24VDC

Explosion-Proof Coil

E2.=Solenoid Kit with 24VAC/12VDC

Coil

E3.=Solenoid Kit with 24VAC12VDC

Explosion-Proof Coil

E4.=Solenoid Kit with 110VAC Coil

E5.=Solenoid Kit with 110VAC

Explosion-Proof Coil

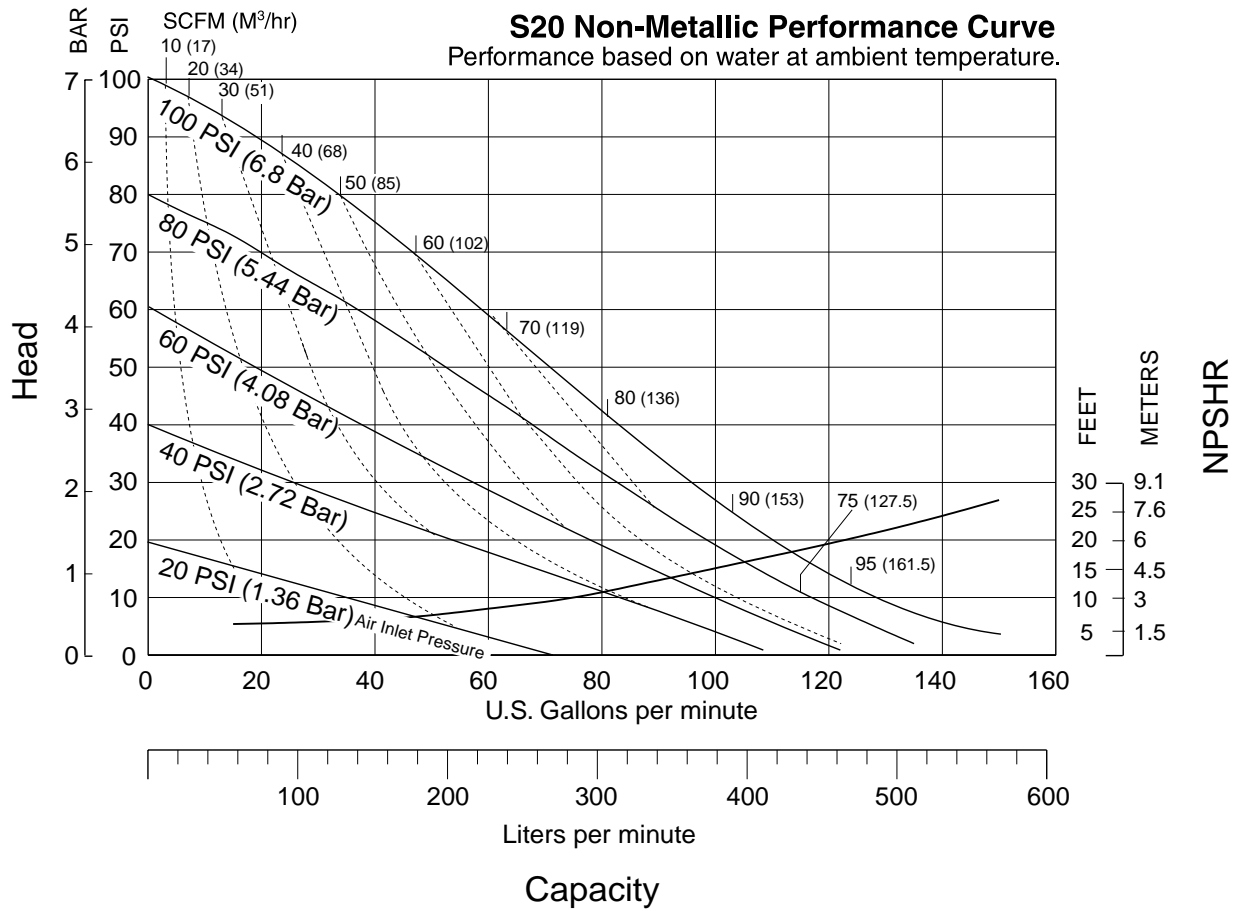
E6.=Solenoid Kit with 220VAC Coil

E7.=Solenoid Kit with 220VAC

Explosion-Proof Coil

SP.=Stroke Indicator Pins

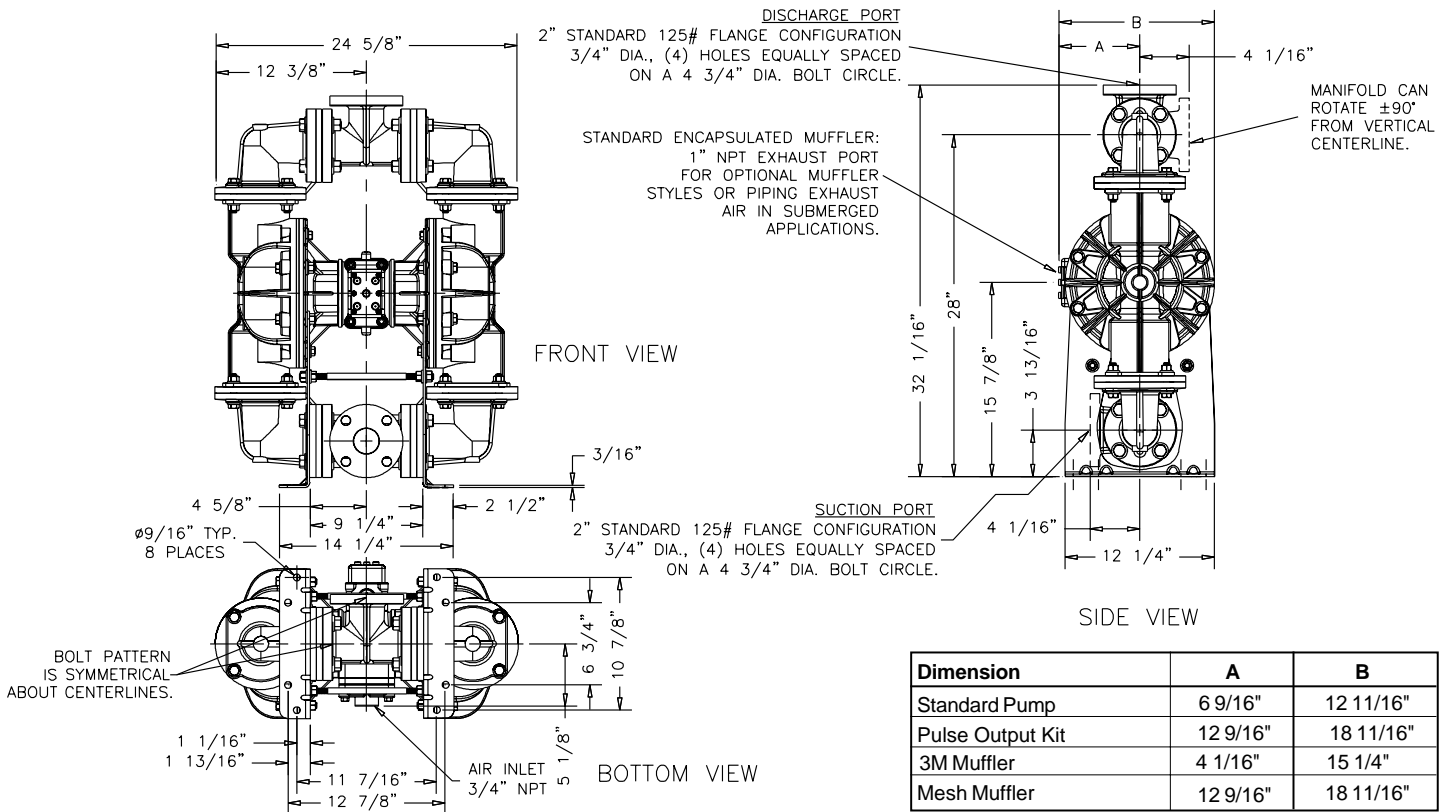
# Performance Curve, Model S20 Non-Metallic Design Level 2



## Dimensions: S20 Non-Metallic

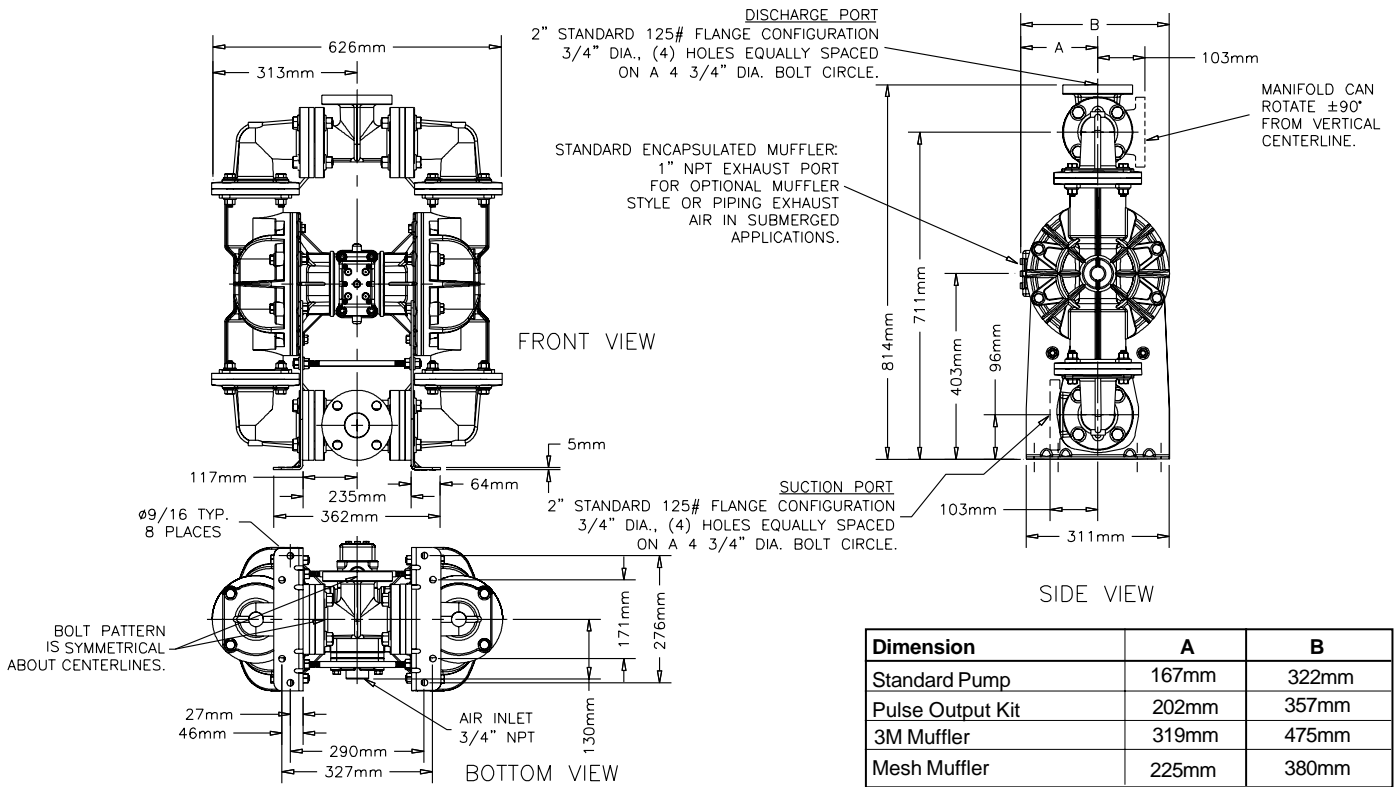
Dimensions in Inches

Dimensional tolerance:  $\pm 1/8$ "



## Metric Dimensions: S20 Non-Metallic

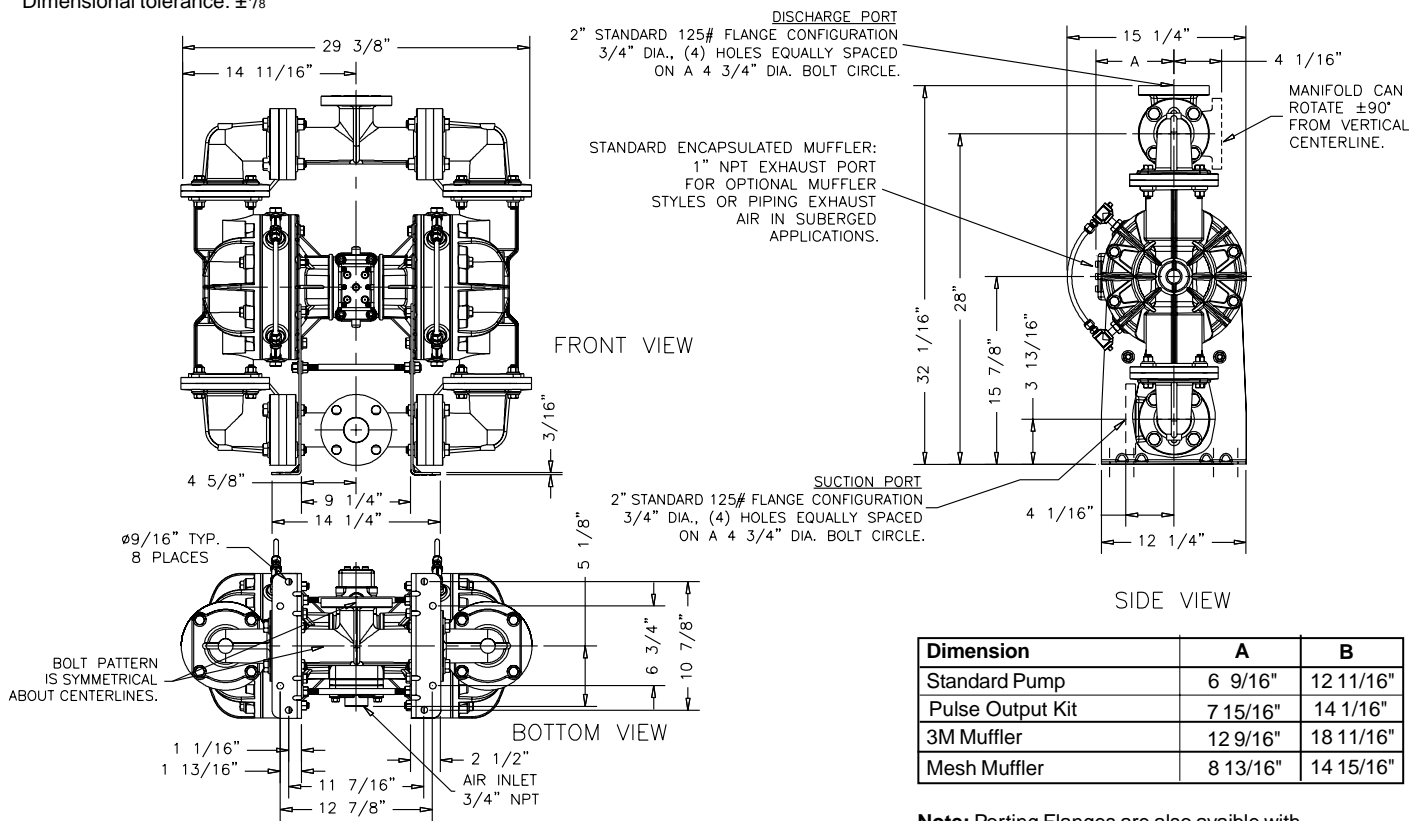
Dimensions in Millimeters  
Dimensional tolerance:  $\pm 3\text{mm}$



**Note:** Porting Flanges are also available with PN10 50mm DIN bolting configuration.

# Dimensions: S20 Non-Metallic with RuppGUARD™ Spill Prevention

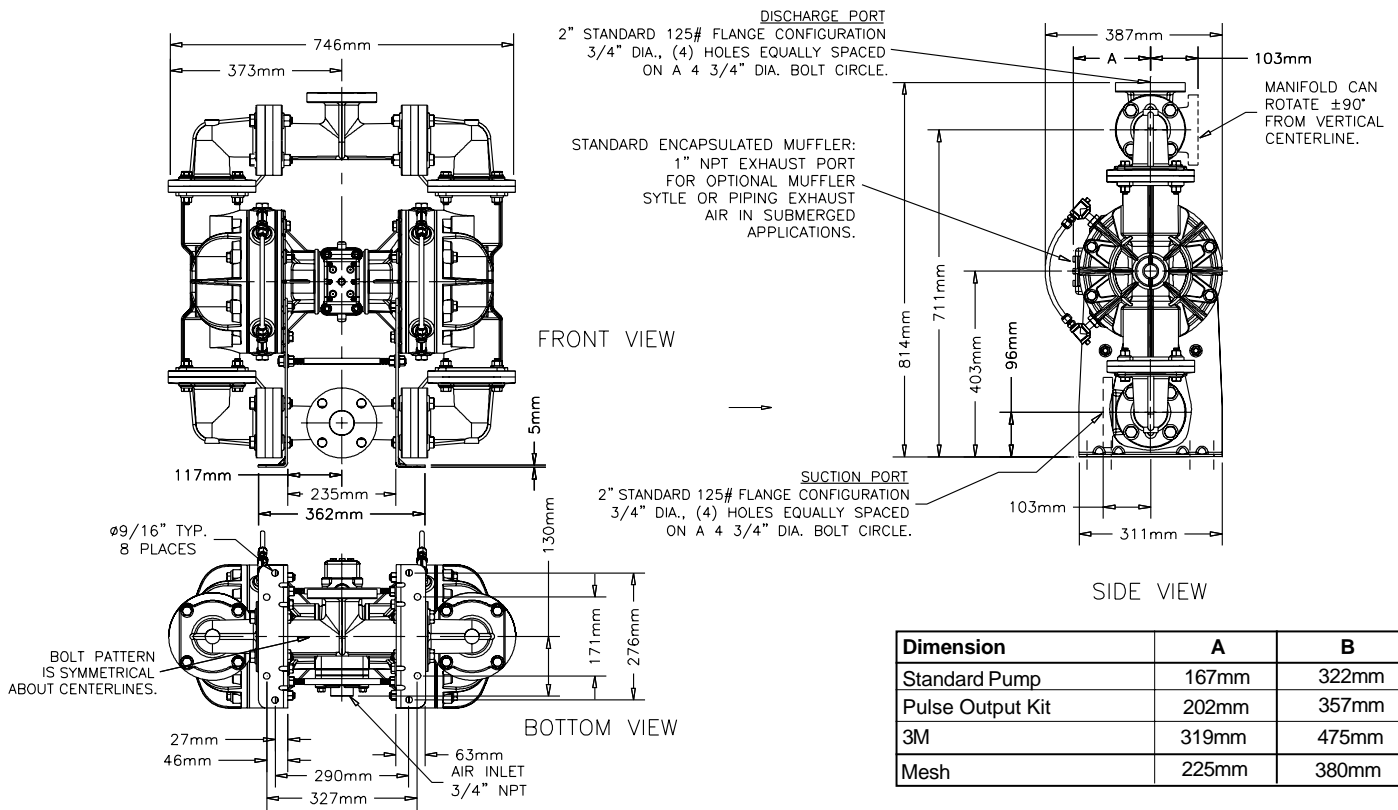
Dimensions in Inches  
Dimensional tolerance:  $\pm 1/8$ "



Dimension	A	B
Standard Pump	6 9/16"	12 11/16"
Pulse Output Kit	7 15/16"	14 1/16"
3M Muffler	12 9/16"	18 11/16"
Mesh Muffler	8 13/16"	14 15/16"

**Note:** Porting Flanges are also available with PN10 40mm DIN bolting configuration.

# Metric Dimensions: S20 Non-Metallic with RuppGUARD™ Spill Prevention



**Note:** Porting Flanges are also available with PN10 50mm DIN bolting configuration.

## PRINCIPLE OF PUMP OPERATION

This ball type check valve pump is powered by compressed air and is a 1:1 ratio design. The inner side of one diaphragm chamber is alternately pressurized while simultaneously exhausting the other inner chamber. This causes the diaphragms, which are connected by a common rod secured by plates to the centers of the diaphragms, to move in a reciprocating action. (As one diaphragm performs the discharge stroke the other diaphragm is pulled to perform the suction stroke in the opposite chamber.) Air pressure is applied over the entire inner surface of the diaphragm while liquid is discharged from the opposite side of the diaphragm. The diaphragm operates in a balanced condition during the discharge stroke which allows the pump to be operated at discharge heads over 200 feet (61 meters) of water.

For maximum diaphragm life, keep the pump as close to the liquid being pumped as possible. Positive suction head in excess of 10 feet of liquid (3.048 meters) may require a back pressure regulating device to maximize diaphragm life.

Alternate pressurizing and exhausting of the diaphragm chamber is performed by an externally mounted, pilot operated, four way spool type air distribution valve. When the spool shifts to one end of the valve body, inlet pressure is applied to one diaphragm chamber and the other diaphragm chamber exhausts. When the spool

shifts to the opposite end of the valve body, the pressure to the chambers is reversed. The air distribution valve spool is moved by an internal pilot valve which alternately pressurizes one end of the air distribution valve spool while exhausting the other end. The pilot valve is shifted at each end of the diaphragm stroke when an actuator plunger is contacted by the diaphragm plate. This actuator plunger then pushes the end of the pilot valve spool into position to activate the air distribution valve.

The chambers are connected with manifolds with a suction and discharge check valve for each chamber, maintaining flow in one direction through the pump.

## INSTALLATION AND START-UP

Locate the pump as close to the product being pumped as possible. Keep the suction line length and number of fittings to a minimum. Do not reduce the suction line diameter.

For installations of rigid piping, short sections of flexible hose should be installed between the pump and the piping. The flexible hose reduces vibration and strain to the pumping system. A surge suppressor is recommended to further reduce pulsation in flow.

## AIR SUPPLY

Air supply pressure cannot exceed 100 psi (7 bar). Connect the pump air inlet to an air supply of sufficient capacity and pressure required for desired performance. When the air

supply line is solid piping, use a short length of flexible hose not less than ½" (13mm) in diameter between the pump and the piping to reduce strain to the piping. The weight of the air supply line, regulators and filters must be supported by some means other than the air inlet cap. Failure to provide support for the piping may result in damage to the pump. A pressure regulating valve should be installed to insure air supply pressure does not exceed recommended limits.

## AIR VALVE LUBRICATION

The air distribution valve and the pilot valve are designed to operate WITHOUT lubrication. This is the preferred mode of operation. There may be instances of personal preference or poor quality air supplies when lubrication of the compressed air supply is required. The pump air system will operate with properly lubricated compressed air supply. Proper lubrication requires the use of an air line lubricator (available from Warren Rupp) set to deliver one drop of SAE 10 non-detergent oil for every 20 SCFM (9.4 liters/sec.) of air the pump consumes at the point of operation. Consult the pump's published Performance Curve to determine this.

## AIR LINE MOISTURE

Water in the compressed air supply can create problems such as icing or freezing of the exhaust air, causing the pump to cycle erratically or stop operating. Water in the air supply can be reduced by using a point-of-use air dryer

to supplement the user's air drying equipment. This device removes water from the compressed air supply and alleviates the icing or freezing problems.

## AIR INLET AND PRIMING

To start the pump, open the air valve approximately ½" to ¾" turn. After the pump primes, the air valve can be opened to increase air flow as desired. If opening the valve increases cycling rate, but does not increase the rate of flow, cavitation has occurred. The valve should be closed slightly to obtain the most efficient air flow to pump flow ratio.

## BETWEEN USES

When the pump is used for materials that tend to settle out or solidify when not in motion, the pump should be flushed after each use to prevent damage. (Product remaining in the pump between uses could dry out or settle out. This could cause problems with the diaphragms and check valves at restart.) In freezing temperatures the pump must be completely drained between uses in all cases.



# INSTALLATION GUIDE

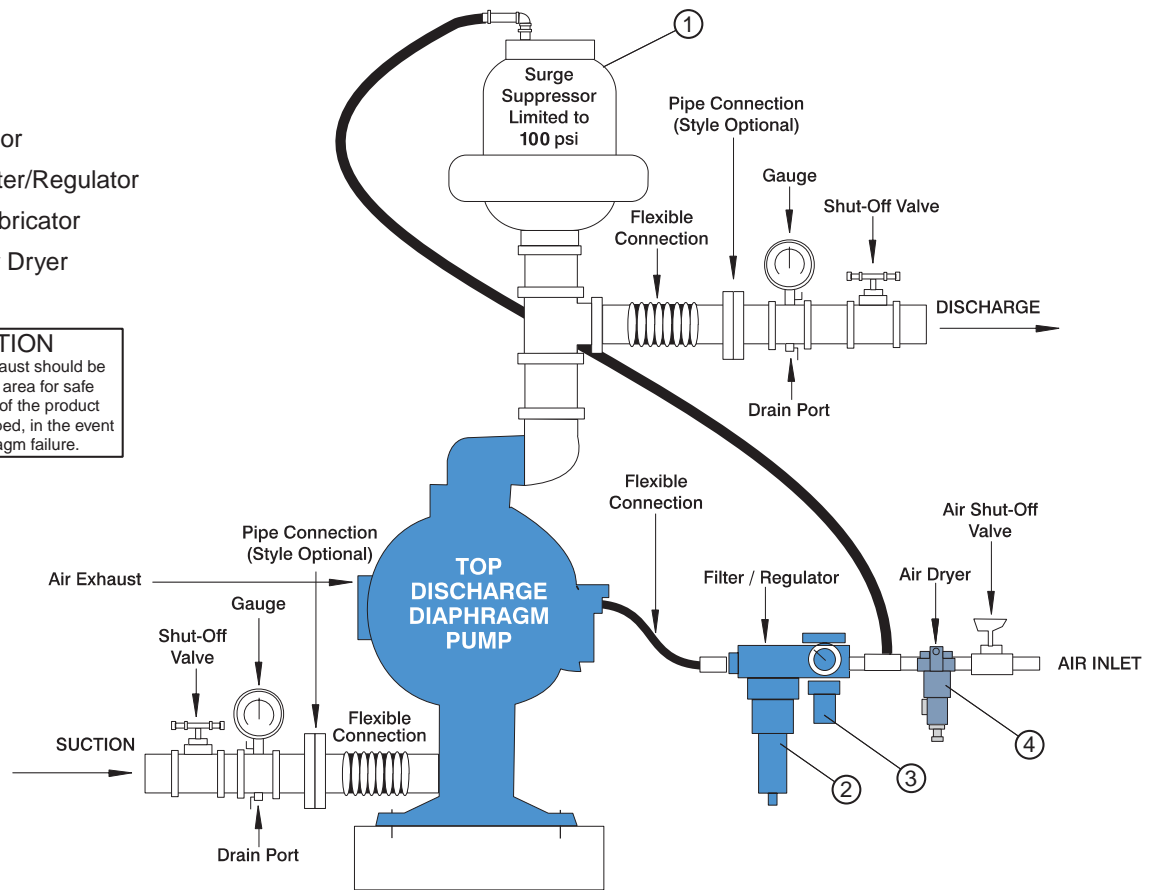
## Top Discharge Ball Valve Unit

Available from  
Warren Rupp


- ① Surge Suppressor
- ② 020-050-000 Filter/Regulator
- ③ 020-050-001 Lubricator
- ④ 020-047-007 Air Dryer



**CAUTION**  
The air exhaust should be piped to an area for safe disposition of the product being pumped, in the event of a diaphragm failure.




## IMPORTANT SAFETY INFORMATION




**IMPORTANT**

Read these safety warnings and instructions in this manual completely, before installation and start-up of the pump. It is the responsibility of the purchaser to retain this manual for reference. Failure to comply with the recommendations stated in this manual will damage the pump, and void factory warranty.



**WARNING**

This pump is pressurized internally with air pressure during operation. Always make certain that all bolting is in good condition and that all of the correct bolting is reinstalled during assembly.



**CAUTION**

Before pump operation, inspect all gasketed fasteners for looseness caused by gasket creep. Re-torque loose fasteners to prevent leakage. Follow recommended torques stated in this manual.




**WARNING**

When used for toxic or aggressive fluids, the pump should always be flushed clean prior to disassembly.



**WARNING**

Before maintenance or repair, shut off the compressed air line, bleed the pressure, and disconnect the air line from the pump. The discharge line may be pressurized and must be bled of its pressure.



**WARNING**

Before doing any maintenance on the pump, be certain all pressure is completely vented from the pump, suction, discharge, piping, and all other openings and connections. Be certain the air supply is locked out or made non-operational, so that it cannot be started while work is being done on the pump. Be certain that approved eye protection and protective clothing are worn all times in the vicinity of the pump. Failure to follow these recommendations may result in serious injury or death.



**WARNING**

In the event of diaphragm rupture, pumped material may enter the air end of the pump, and be discharged into the atmosphere. If pumping a product which is hazardous or toxic, the air exhaust must be piped to an appropriate area for safe disposition.



**WARNING**

Airborne particles and loud noise hazards. Wear ear and eye protection.

## MATERIAL CODES

**The Last 3 Digits of Part Number**

000 ..... Assembly, sub-assembly, and some purchased items	368 ..... Food Grade EPDM
010 ..... Cast Iron	370 ..... Butyl Rubber. Color coded: BROWN
012 ..... Powered Metal	371 ..... Philthane (Tuftane)
015 ..... Ductile Iron	374 ..... Carboxylated Nitrile
020 ..... Ferritic Malleable Iron	375 ..... Fluorinated Nitrile
025 ..... Music Wire	378 ..... High Density Polypropylene
080 ..... Carbon Steel, AISI B-1112	405 ..... Cellulose Fibre
100 ..... Alloy 20	408 ..... Cork and Neoprene
110 ..... Alloy Type 316 Stainless Steel	425 ..... Compressed Fibre
111 ..... Alloy Type 316 Stainless Steel (Electro Polished)	426 ..... Blue Gard
112 ..... Alloy "C" (Hastelloy equivalent)	440 ..... Vegetable Fibre
113 ..... Alloy Type 316 Stainless Steel (Hand Polished)	465 ..... Fibre
114 ..... 303 Stainless Steel	500 ..... Deirin 500
115 ..... 302/304 Stainless Steel	501 ..... Deirin 570
117 ..... 440-C Stainless Steel (Martensitic)	502 ..... Conductive Acetal, ESD-800
120 ..... 416 Stainless Steel (Wrought Martensitic)	503 ..... Conductive Acetal, Glass-Filled
123 ..... 410 Stainless Steel (Wrought Martensitic)	505 ..... Acrylic Resin Plastic
148 ..... Hardcoat Anodized Aluminum	506 ..... Deirin 150
149 ..... 2024-T4 Aluminum	520 ..... Injection Molded PVDF Natural color
150 ..... 6061-T6 Aluminum	540 ..... Nylon
151 ..... 6063-T6 Aluminum	541 ..... Nylon
152 ..... 2024-T4 Aluminum (2023-T351)	542 ..... Nylon
154 ..... Almag 35 Aluminum	544 ..... Nylon Injection Molded
155 ..... 356-T6 Aluminum	550 ..... Polyethylene
156 ..... 356-T6 Aluminum	551 ..... Glass Filled Polypropylene
157 ..... Die Cast Aluminum Alloy #380	552 ..... Unfilled Polypropylene
158 ..... Aluminum Alloy SR-319	553 ..... Unfilled Polypropylene
159 ..... Anodized Aluminum	555 ..... Polyvinyl Chloride
162 ..... Brass, Yellow, Screw Machine Stock	556 ..... Black Vinyl
165 ..... Cast Bronze, SAE 660	570 ..... Rulon II
166 ..... Bronze, SAE 660	580 ..... Ryton
170 ..... Bronze, Bearing Type, Oil Impregnated	590 ..... Valox
175 ..... Die Cast Zinc	591 ..... Nylontron G-S
180 ..... Copper Alloy	592 ..... Nylontron NSB
305 ..... Carbon Steel, Gray Epoxy Coated	600 ..... Virgin PTFE
306 ..... Carbon Steel, Black PTFE Coated	601 ..... PTFE (Bronze and moly filled)
307 ..... Aluminum, Gray Epoxy Coated	602 ..... Filled PTFE
308 ..... Stainless Steel, Black PTFE Coated	603 ..... Blue Gylon
309 ..... Aluminum, Black PTFE Coated	604 ..... Virgin PTFE
310 ..... Kynar Coated	607 ..... Envelon
330 ..... Zinc Plated Steel	606 ..... Injected molded PFA
331 ..... Chrome Plated Steel	610 ..... Encapsulated Silicon
332 ..... Aluminum, Electroless Nickel Plated	611 ..... Encapsulated Viton
333 ..... Carbon Steel, Electroless Nickel Plated	632 ..... Neoprene/Hytrel
335 ..... Galvanized Steel	633 ..... Viton/PTFE
336 ..... Zinc Plated Yellow Brass	634 ..... EPDM/PTFE
337 ..... Silver Plated Steel	637 ..... PTFE, Viton
340 ..... Nickel Plated	638 ..... PTFE, Hytrel
342 ..... Filled Nylon	639 ..... Buna-N
353 ..... Geolast, Color: Black	643 ..... Santoprene®/EPDM
354 ..... Injection Molded #203-40 Santoprene - Duro 40D +/5; Color: RED	644 ..... Santoprene®
355 ..... Thermal Plastic	
356 ..... Hytrel	
357 ..... Injection Molded Polyurethane	
358 ..... Ruppilon (Urethane Rubber). Color coded: PURPLE (Some Applications) (Compression Mold)	
359 ..... Urethane Rubber	
360 ..... Buns-N Rubber. Color coded: RED	
361 ..... Buns-N	
363 ..... Viton (Fluorel). Color coded: YELLOW	
364 ..... E.P.D.M. Rubber. Color coded: BLUE	
365 ..... Neoprene Rubber. Color coded: GREEN	
366 ..... Food Grade Nitrile	

Deirin, Viton and Hytrel are registered tradenames of E.I. DuPont.

Gylon is a registered tradename of Garlock, Inc.

Nylontron is a registered tradename of Polymer Corp.

Santoprene is a registered tradename of Monsanto Corp.

Rulon II is a registered tradename of Dixon Industries Corp.

Hastelloy-C is a registered tradename of Cabot Corp.

Ryton is a registered tradename of Phillips Chemical Co.

Valox is a registered tradename of General Electric Co.

Warren Rupp, Ruppilon, SANDPIPER, PortaPump, Tranquizer, RuppGUARD™, RuppTech® and SudgeMaster are registered tradenames of Warren Rupp, Inc.

## TROUBLESHOOTING

### **Possible Symptoms:**

- Pump will not cycle.
- Pump cycles, but produces no flow.
- Pump cycles, but flow rate is unsatisfactory.
- Pump cycle seems unbalanced.
- Pump cycle seems to produce excessive vibration.

**What to Check:** Excessive suction lift in system.

**Corrective Action:** For lifts exceeding 20 feet (6 meters), filling the pumping chambers with liquid will prime the pump in most cases.

**What to Check:** Excessive flooded suction in system.

**Corrective Action:** For flooded conditions exceeding 10 feet (3 meters) of liquid, install a back pressure device.

**What to Check:** System head exceeds air supply pressure.

**Corrective Action:** Increase the inlet air pressure to the pump. Most diaphragm pumps are designed for 1:1 pressure ratio at zero flow.

**What to Check:** Air supply pressure or volume exceeds system head.

**Corrective Action:** Decrease inlet air pressure and volume to the pump as calculated on the published PERFORMANCE CURVE. Pump is cavitating the fluid by fast cycling.

**What to Check:** Undersized suction line.

**Corrective Action:** Meet or exceed pump connection recommendations shown on the DIMENSIONAL DRAWING.

**What to Check:** Restricted or undersized air line.

**Corrective Action:** Install a larger air line and connection. Refer to air inlet recommendations shown in your pump's SERVICE MANUAL.

**What to Check:** Check ESADS, the Externally Serviceable Air Distribution System of the pump.

**Corrective Action:** Disassemble and inspect the main air distribution valve, pilot valve and pilot valve actuators. Refer to the parts drawing and air valve section of the SERVICE MANUAL. Check for clogged discharge or closed valve before reassembly.

**What to Check:** Rigid pipe connections to pump.

**Corrective Action:** Install flexible connectors and a surge suppressor.

**What to Check:** Blocked air exhaust muffler.

**Corrective Action:** Remove muffler screen, clean or de-ice and reinstall. Refer to the Air Exhaust section of your pump SERVICE MANUAL.

**What to Check:** Pumped fluid in air exhaust muffler.

**Corrective Action:** Disassemble pump chambers. Inspect for diaphragm rupture or loose diaphragm plate assembly. Refer to the Diaphragm Replacement section of your pump SERVICE MANUAL.

**What to Check:** Suction side air leakage or air in product.

**Corrective Action:** Visually inspect all suction side gaskets and pipe connections.

**What to Check:** Obstructed check valve.

**Corrective Action:** Disassemble the wet end of the pump and manually dislodge obstruction in the check valve pocket. Refer to the Check Valve section of the pump SERVICE MANUAL for disassembly instructions.

**What to Check:** Worn or misaligned check valve or check valve seat.

**Corrective Action:** Inspect check valves and seats for wear and proper seating. Replace if necessary. Refer to Check Valve section of the pump SERVICE MANUAL for disassembly instructions.

**What to Check:** Blocked suction line.

**Corrective Action:** Remove or flush obstruction. Check and clear all suction screens and strainers.

**What to Check:** Blocked discharge line.

**Corrective Action:** Check for obstruction or closed discharge line valves.

**What to Check:** Blocked pumping chamber.

**Corrective Action:** Disassemble and inspect the wetted chambers of the pump. Remove or flush any obstructions. Refer to the pump SERVICE MANUAL for disassembly instructions.

**What to Check:** Entrained air or vapor lock in one or both pumping chambers.

**Corrective Action:** Purge chambers through tapped chamber vent plugs. PURGING THE CHAMBERS OF AIR CAN BE DANGEROUS! Contact the Warren Rupp Technical Services Department before performing this procedure. A model with top-ported discharge will reduce or eliminate problems with entrained air.

If your pump continues to perform below your expectations, contact your local Warren Rupp Distributor or factory Technical Services Group for a service evaluation.

## WARRANTY

Refer to the enclosed Warren Rupp Warranty Certificate.

# Composite Repair Parts Drawing

## AVAILABLE SERVICE AND CONVERSION KITS

- 476-174-000 AIR END KIT**  
Seals, O-rings, Gaskets, Retaining Rings, Air Valve Sleeve & Spool Set and Pilot Valve Assembly
- 476-175-000\* AIR END KIT (for Stroke Indicator Option)**  
Seals, O-rings, Gaskets, Retaining Rings, Air Valve Sleeve & Spool Set and Pitot Valve Assembly.
- 476-139-354 WETTED END KIT**  
Santoprene Diaphragms, Santoprene Balls and TFE Seals.
- 476-139-654 WETTED END KIT**  
Santoprene Diaphragms, PTFE Overlay Diaphragms, TFE Balls and TFE Seals.
- 476-142-354 WETTED END KIT (for Polypropylene RuppGuard™)**  
Santoprene Diaphragms, PTFE Overlay Diaphragms, PTFE Pumping Diaphragms, PTFE Balls and PTFE Seals.
- 476-142-655 WETTED END KIT (for PVDF RuppGUARD™)**  
Santoprene Diaphragms, PTFE Overlay Diaphragms, PTFE Pumping Diaphragms, PTFE Balls and PTFE Seals.
- 031-141-000 ASSEMBLY, AIR VALVE**  
(without Encapsulated Muffler, Muffler Cap and six screws)

## HARDWARE KITS

- 475-170-308** PTFE Coated Stainless Steel Capscrews, Hex Nuts, Washers and Support Rod
- 475-171-308** (For use with RuppGUARD™ Spill Prevention Options)

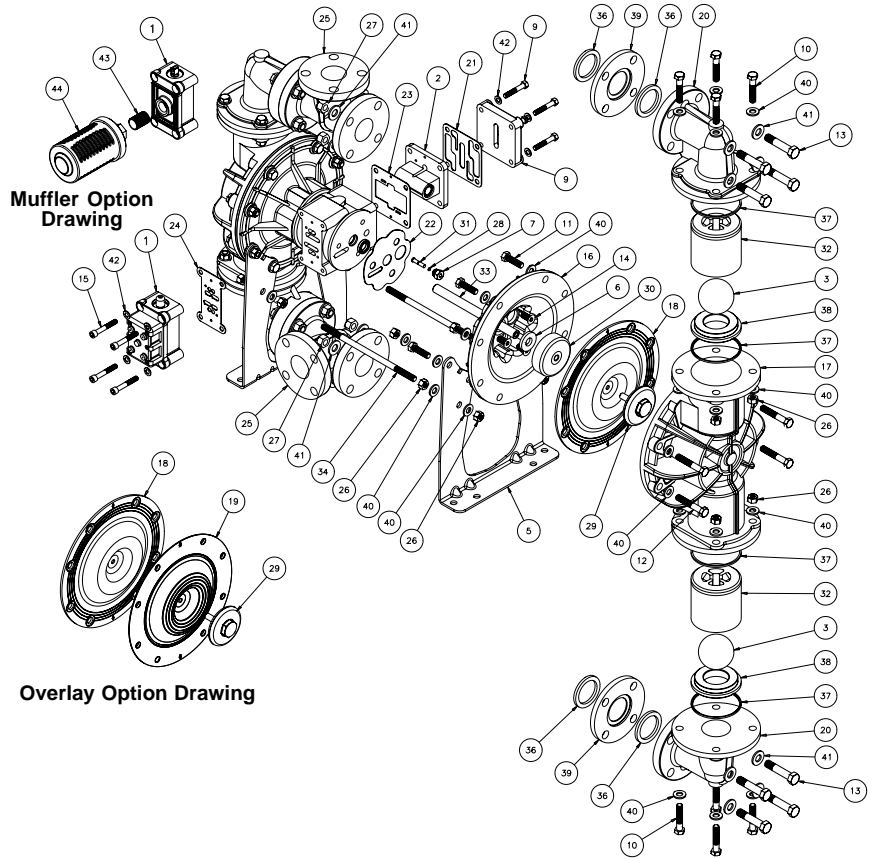
## RuppTech® PULSE OUTPUT KITS

(For use with 530-010-000 and 530-032-000 Mufflers, or piped exhaust)

- 475-198-001 DC Kit
- 475-198-002 DC Intrinsically Safe Kit
- 475-198-003 110/120VAC or 220/240VAC Kit
- 475-198-004 110/120VAC Intrinsically Safe Kit
- 475-198-005 220/240VAC Intrinsically Safe Kit
- (For use with encapsulated 530-028-550 Muffler)
- 475-198-006 DC Kit
- 475-198-007 DC Intrinsically Safe Kit
- 475-198-008 110/120VAC or 220/240VAC Kit
- 475-198-009 110/120VAC Intrinsically Safe Kit
- 475-198-010 220/240VAC Intrinsically Safe Kit

## RuppTech® ELECTRONIC LEAK DETECTOR KITS

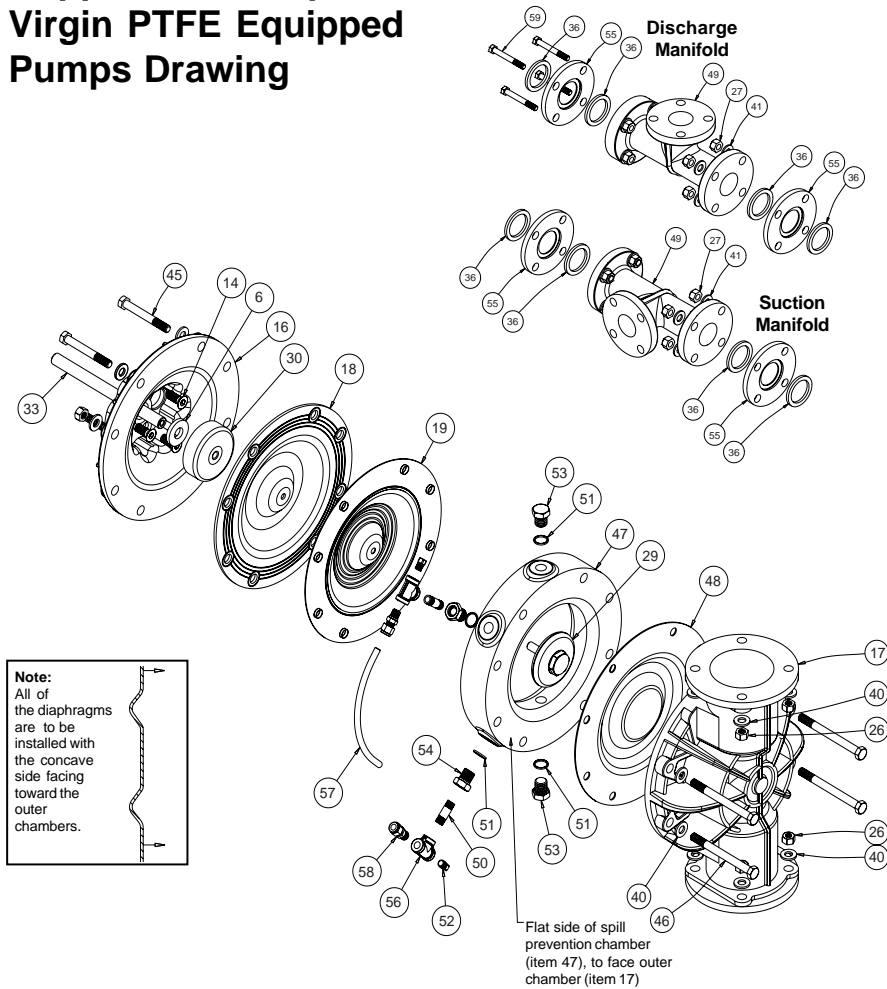
- 032-037-000 100VAC 50Hz
- or 110-120VAC 50-60Hz
- or 220-240VAC 50-60Hz
- 032-045-000 12-32VDC



## Composite Repair Parts List

ITEM	PART NUMBER	DESCRIPTION	QTY	ITEM	PART NUMBER	DESCRIPTION	QTY
1	031-140-000	Air Valve Assembly	1	21	360-090-360	Gasket, Air Inlet	1
	031-140-002	Air Valve Assembly w/ PTFE coated Hardware	1	22	360-091-360	Gasket, Inner Chamber	2
	031-141-000	Air Valve Assembly (No Encapsulated Muffler)	1	23	360-092-360	Gasket, Pilot Valve	1
2	095-093-000	Pilot Valve Assembly	1	24	360-093-360	Gasket, Main Air Valve	1
3	050-038-354	Ball, Check	4	25	518-132-520	Manifold	2
	050-038-600	Ball, Check	4		518-132-520E	Manifold, 50mm DIN	2
4	114-021-156	Intermediate Assembly	1		518-132-552	Manifold	2
	114-021-307	Intermediate Assembly	1		518-132-552E	Manifold, 50mm DIN	2
	114-021-309	Intermediate Assembly	1	26	545-008-110	Nut, Hex 1/2-13	32
	114-021-332	Intermediate Assembly	1		545-008-308	Nut, Hex 1/2-13	32
5	115-132-080	Bracket, Mounting	2	27	545-009-110	Nut, Hex 5/8-11	16
	115-132-305	Bracket, Mounting	2		545-009-308	Nut, Hex 5/8-11	16
	115-132-306	Bracket, Mounting	2	28	560-001-360	O-ring	2
	115-132-333	Bracket, Mounting	2	29	612-179-520	Assembly, Outer Diaphragm Plate	2
6	132-019-360	Bumper, Diaphragm	2		612-179-552	Assembly, Outer Diaphragm Plate	2
7	135-032-506	Bushing, Plunger	2	30	612-158-150	Assembly, Inner Diaphragm Plate	2
8	165-099-156	Cap, Air Inlet	1	31	620-017-115	Plunger, Actuator	2
	165-099-307	Cap, Air Inlet	1	32	670-046-520	Retainer, Ball	4
	165-099-309	Cap, Air Inlet	1		670-046-552	Retainer, Ball	4
	165-099-332	Cap, Air Inlet	1	33	685-050-120	Rod, Diaphragm	1
9	170-052-115	Capscrew, Hex HD 3/8-16 x 2.25	4	34	685-053-115	Rod, Support	2
	170-052-308	Capscrew, Hex HD 3/8-16 x 2.25	4		685-053-308	Rod, Support	2
10	170-055-115	Capscrew, Hex HD 1/2-13 x 2.50	16	35	720-010-375	Seal, Diaphragm Rod	2
	170-055-308	Capscrew, Hex HD 1/2-13 x 2.50	16	36	720-038-600	Seal, Manifold Spacer	8
11	170-068-115	Capscrew, Hex HD 1/2-13 x 1.75	8	37	720-041-600	Seal, Check Valve Assembly	8
	170-068-308	Capscrew, Hex HD 1/2-13 x 1.75	8	38	722-075-520	Seat, Check Valve	4
12	170-095-115	Capscrew, Soc HD 1/2-13 x 3.00	8		722-075-552	Seat, Check Valve	4
	170-095-308	Capscrew, Soc HD 1/2-13 x 3.00	8	39	770-056-520	Spacer, Manifold	4
13	170-110-115	Capscrew, Soc HD 5/8-11 x 3.00	16		770-056-552	Spacer, Manifold	4
	170-110-308	Capscrew, Soc HD 5/8-11 x 3.00	16	40	901-046-115	Washer, Flat 1/2"	60
14	171-004-115	Capscrew, Flat HD 1/2-13 X 1.25	6		901-046-308	Washer, Flat 1/2"	60
15	171-053-115	Capscrew, Soc HD 3/8-16 X 2.75	4	41	901-047-115	Washer, Flat 5/8"	32
	171-053-308	Capscrew, Soc HD 3/8-16 X 2.75	4		901-047-308	Washer, Flat 5/8"	32
16	196-148-156	Chamber, Inner	2	42	901-048-115	Washer, Flat 3/8"	8
	196-148-307	Chamber, Inner	2		901-048-308	Washer, Flat 3/8"	8
	196-148-309	Chamber, Inner	2	43	538-035-555	Nipple, Pipe 1" NPT Close	1
	196-148-332	Chamber, Inner	2	44	530-027-000	Muffler	1
17	196-150-520	Chamber, Outer	2				
	196-150-552	Chamber, Outer	2				
18	286-074-354	Diaphragm	2				
19	286-075-600	Diaphragm, Overlay	2				
20	312-102-520	Elbow	4				
	312-102-552	Elbow	4				
				NOT SHOWN:			
				535-069-000	Nameplate		

# RuppGUARD™ Option for Virgin PTFE Equipped Pumps Drawing



## S20 Spill Prevention Repair Parts List for Virgin PTFE Equipped Pumps

ITEM	PART NUMBER	DESCRIPTION	QTY
1	031-146-000	Air Valve Assembly (replaces 031-140-000)	1
	031-147-000	Air Valve Assembly (replaces 031-141-000)	1
45	170-092-115	Capscrew, Hex HD 1/2-13 x 4.00 (replaces 170-068-115)	8
	170-092-308	Capscrew, Hex HD 1/2-13 x 4.00 (replaces 170-068-115)	8
46	170-108-115	Capscrew, Hex HD 1/2-13 x 5.50 (replaces 170-095-115)	8
	170-108-308	Capscrew, Hex HD 1/2-13 x 5.50 (replaces 170-095-115)	8
47	196-149-520*	Chamber, Spill Prevention	2
	196-149-552*	Chamber, Spill Prevention	2
48	286-076-600	Diaphragm, Pumping	2
49	518-134-520	Manifold (replaces 518-132-520)	2
	518-134-520E	Manifold, 50mm DIN	2
	518-134-552	Manifold (replaces 518-130-552)	2
	518-134-552E	Manifold, 50mm DIN	2
50	538-022-110	Nipple, Pipe	4
	538-022-308	Nipple, Pipe	4
51	560-078-611	O-Ring	8
52	618-003-110	Plug, Pipe	4
	618-003-308	Plug, Pipe	4
53	618-025-110	Plug, Boss	4
	618-025-308	Plug, Boss	4
54	618-031-110	Plug, Boss	4
	618-031-308	Plug, Boss	4
55	770-057-600	Spacer, Manifold	4
	770-057-552	Spacer, Manifold	4
56	835-005-110	Tee, Pipe	4
	835-005-308	Tee, Pipe	4
57	860-055-606	Tube, Sight	2
58	866-060-110	Connector, Tube	4
59	170-111-115	Capscrew, Hex HD 5/8-11 x 3.25 (replaces 170-110-115)	16

Note: The diaphragms are to be installed with the concave side facing toward the outer chambers. See drawing.

### RuppGUARD™ FOR VIRGIN PTFE EQUIPPED PUMPS CONCEPT

The spill prevention option prevents the air end components from being contaminated or damaged when a pumping diaphragm ruptures while pumping caustic or toxic materials. It also helps to protect the environment. With the installation of optional leak detectors (either mechanical or electronic) the diaphragm rupture can be detected. The pump can then be shut down and repaired before any caustic or toxic materials can enter the air end and be exhausted into the surrounding environment.

### RuppGUARD™ OPTION DIAPHRAGM SERVICING

To service the diaphragms first shut off the suction, then shut off the discharge lines to the pump. Next shut off the compressed air supply, bleed the pressure from the pump, and disconnect the air supply line from the pump. Drain any remaining pumped liquid from the pump. Remove the pump before servicing.

Next, drain the fluid from the spill prevention chambers. This can be done by removing the bottom plug (item 53) from each spill prevention chamber.

After the fluid from the spill prevention chambers has been drained, the wet end components can now be removed. See diaphragm servicing section for detailed instructions. The spill prevention option has two additional virgin PTFE pumping diaphragms (item 48). These diaphragms are installed with the natural **concave** curve toward the

outer chamber (items 17 from the pump assembly drawing). The molded directional arrows on the diaphragms must point vertically.

### FILLING RuppGUARD™ CHAMBERS WITH LIQUID

THE CHAMBERS ARE FILLED WITH WATER AT THE FACTORY.

If you prefer to substitute another liquid, to prevent system contamination consult the factory first to determine compatibility of the substitute with pump construction.

Follow the steps listed here to replace the liquid in the pump after disassembly or liquid loss:

1. Drain the fluid in the spill prevention chambers by removing the bottom two boss plugs (items 53). Replace the bottom two boss plugs after the fluid is drained.

2. Remove the eight capscrews (item 10) fastening the discharge manifold and elbows to the outer chambers (items 17). The discharge manifolds and elbows can now be removed.

3. Remove the top two boss plugs (items 53). The spill prevention chambers are filled through the exposed ports.

4. Apply air pressure to the air distribution valve. Install safety clip (item 1-N) into the smaller unthreaded hole in one end cap (item 1-D). This locks the valve spool to one side, keeping the pump from shifting.

5. Face the side of the pump with the installed safety clip. If the safety clip is installed in the top end cap, fill the left spill containment chamber. If the

safety clip is installed on the bottom end cap, fill the right spill prevention chamber. The volume of fluid is 1420 ml (48.01 fl. oz.). It is important that the exact amount of fluid is used. Too little or too much fluid causes premature diaphragm failure and erratic pumping.

6. Loosely reinstall one boss plug (item 53) to the filled spill prevention chamber.

7. Shut off air supply. Remove safety clip. Adjust the air line regulator so that air pressure slowly fills the pump. The diaphragm expands, forcing the fluid in the chamber to be slowly displaced. When the pump shifts to the opposite side, quickly install the safety clip.

8. Loosen the top boss plug on the filled chambers. This allows fluid in the chamber to purge trapped air from the chamber. This can be seen by watching the column of fluid in the sight tube. When fluid appears at the top of the port, quickly tighten the boss plug. Fluid loss of 1 to 2ml is acceptable.


9. Tilt the pump so the uppermost pipe tee (item 56) is in the vertical position. Loosen the pipe plug (item 52). This will allow trapped air to purge through the pipe tee. When fluid appears at the tee opening, reinstall the pipe plug.

**NOTE:** If all air is not purged using this procedure, remove the check valve components from the top port of the outer chamber (item 17). Apply manual pressure to the pumping diaphragm by inserting a blunt instrument into the top port of the outer chamber and applying pressure to the diaphragm. Loosen the pipe plug (item 52) allowing the fluid to

purge any remaining trapped air. Reinstall the plug.

10. Repeat steps 5 through 9 to fill opposite spill prevention chamber.

11. Reinstall the check valve components, discharge manifold and elbows to the pump. The pump is now ready for operation.

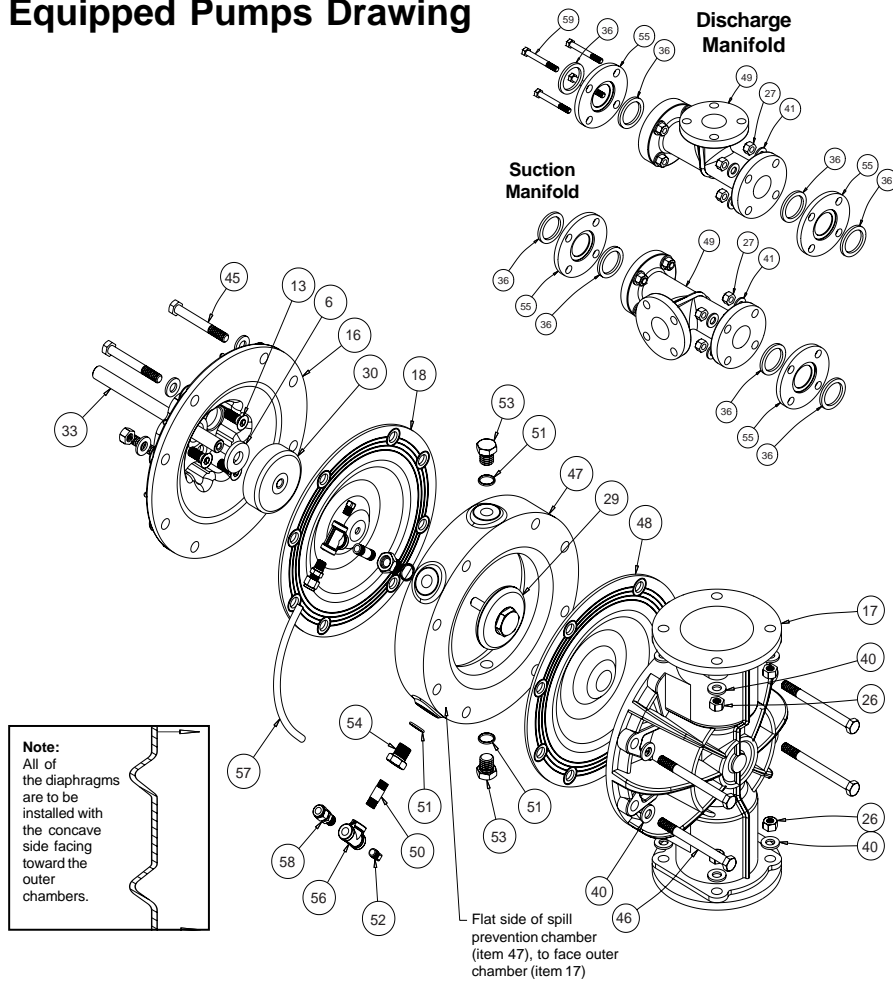


**IMPORTANT**

*Read these instructions completely, before installation and start-up. It is the responsibility of the purchaser to retain this manual for reference. Failure to comply with the recommendations stated in this manual will damage the pump, and void factory warranty.*

# RuppGUARD™ Option for TPE Equipped Pumps Drawing

## S20 Spill Prevention for TPE Equipped Pumps Repair Parts List



ITEM	PART NUMBER	DESCRIPTION	QTY
1	031-146-000	Air Valve Assembly (replaces 031-140-000)	1
	031-147-000	Air Valve Assembly (replaces 031-141-000)	1
45	170-092-115	Capscrew, Hex HD 1/2-13 x 4.00	8
	170-092-308	Capscrew, Hex HD 1/2-13 x 4.00 (replaces 170-068-115)	8
46	170-108-115	Capscrew, Hex HD 1/2-13 x 5.50 (replaces 170-095-115)	8
	170-108-308	Capscrew, Hex HD 1/2-13 x 5.50 (replaces 170-095-115)	8
47	196-149-520	Chamber, Spill Prevention	2
	196-149-552	Chamber, Spill Prevention	2
48	286-081-354	Diaphragm, Pumping	2
49	518-134-520	Manifold, Spill Prevention (replaces 518-132-520)	2
	518-134-520E	Manifold, 50mm DIN	2
	518-134-552	Manifold, Spill Prevention (replaces 518-132-552)	2
	518-134-552E	Manifold, 50mm DIN	2
50	538-022-110	Pipe, Nipple	4
	538-022-308	Pipe, Nipple	4
51	560-078-611	O-ring	8
52	618-003-110	Plug, Pipe	4
	618-003-308	Plug, Pipe	4
53	618-025-110	Plug, Boss	4
	618-025-308	Plug, Boss	4
54	618-031-110	Plug, Boss	4
	618-031-308	Plug, Boss	4
55	770-057-600	Spacer, Manifold	4
	770-057-552	Spacer, Manifold	4
56	835-005-110	Tee, Pipe	4
	835-005-308	Tee, Pipe	4
57	860-055-606	Tube, Sight	2
58	866-060-110	Connector, Tube	4
59	170-111-115	Capscrew, Hex HD 5/8-11 x 3.25 (replaces 170-110-600)	16

Note: The diaphragms are to be installed with the concave side facing toward the outer chambers. See drawing.

### RuppGUARD™ FOR TPE EQUIPPED PUMPS CONCEPT

The spill prevention option prevents the air end components from being contaminated or damaged when a pumping diaphragm ruptures while pumping caustic or toxic materials. It also helps to protect the environment. With the installation of optional leak detectors (either mechanical or electronic) the diaphragm rupture can be detected. The pump can then be shut down and repaired before any caustic or toxic materials can enter the air end and be exhausted into the surrounding environment.

### RuppGUARD™ OPTION DIAPHRAGM SERVICING

To service the diaphragms first shut off the suction, then shut off the discharge lines to the pump. Next shut off the compressed air supply, bleed the pressure from the pump, and disconnect the air supply line from the pump. Drain any remaining pumped liquid from the pump. Remove the pump before servicing.

Next, drain the fluid from the spill prevention chambers. This can be done by removing the bottom plug (item 53) from each spill prevention chamber.

After the fluid from the spill prevention chambers has been drained, the wet end components can now be removed. See diaphragm servicing section for detailed instructions. The spill prevention option has two additional TPE pumping diaphragms (item 48). These diaphragms are installed with the natural **concave** curve toward the outer chamber

(items 17 from the pump assembly drawing). The molded directional arrows on the diaphragms must point vertically.

### FILLING RuppGUARD™ CHAMBERS WITH LIQUID

THE CHAMBERS ARE FILLED WITH WATER AT THE FACTORY.

If you prefer to substitute another liquid, to prevent system contamination consult the factory first to determine compatibility of the substitute with pump construction.

Follow the steps listed here to replace the liquid in the pump after disassembly or liquid loss:

1. Drain the fluid in the spill prevention chambers by removing the bottom two boss plugs (items 53). Replace the bottom two boss plugs after the fluid is drained.

2. Remove the eight capscrews (item 10) fastening the discharge manifold and elbows to the outer chambers (items 17). The discharge manifolds and elbows can now be removed.

3. Remove the top two boss plugs (items 53). The spill prevention chambers are filled through the exposed ports.

4. Apply air pressure to the air distribution valve. Install safety clip (item 1-N) into the smaller unthreaded hole in one end cap (item 1-D). This locks the valve spool to one side, keeping the pump from shifting.

5. Face the side of the pump with the installed safety clip. If the safety clip is installed in the top end cap, fill the left spill prevention chamber. If the safety clip is installed on the bottom end

cap, fill the right spill prevention chamber.

6. Loosely reinstall one boss plug (item 53) to the filled spill prevention chamber.

7. Shut off air supply. Remove safety clip. Adjust the air line regulator so that air pressure slowly fills the pump. The diaphragm expands, forcing the fluid in the chamber to be slowly displaced. When the pump shifts to the opposite side, quickly install the safety clip.

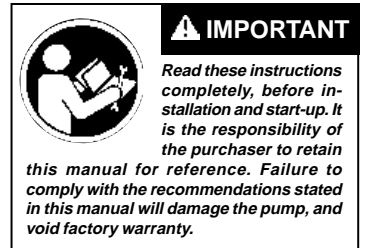
8. Loosen the top boss plug on the filled chambers. This allows fluid in the chamber to purge trapped air from the chamber. This can be seen by watching the column of fluid in the sight tube. When fluid appears at the top of the port, quickly tighten the boss plug. Fluid loss of 1 to 2ml is acceptable.

9. Tilt the pump so the uppermost pipe tee (item 56) is in the vertical position. Loosen the pipe plug (item 52). This will allow trapped air to purge through the pipe tee. When fluid appears at the tee opening, reinstall the pipe plug.

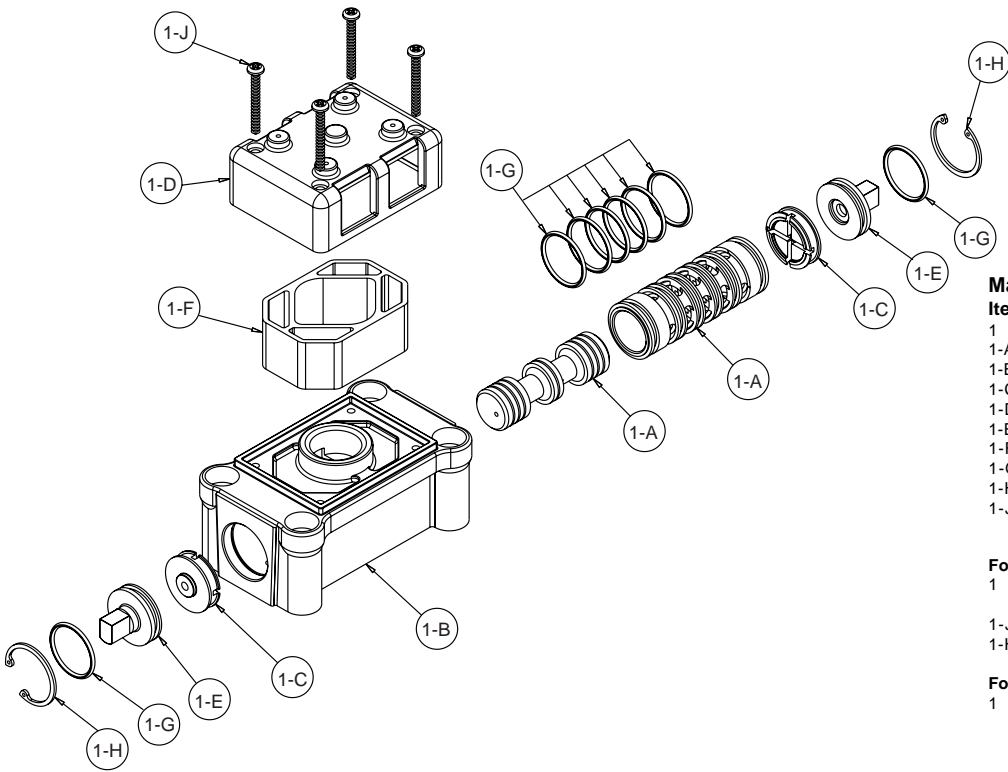
**NOTE:** If all air is not purged using this procedure, remove the check valve components from the top port of the outer chamber (item 17). Apply manual pressure to the pumping diaphragm by inserting a blunt instrument into the top port of the outer chamber and applying pressure to the diaphragm. Loosen the pipe plug (item 52) allowing the fluid to purge any remaining trapped air. Reinstall the plug.

10. Repeat steps 5 through 9 to fill opposite spill prevention chamber.

11. Reinstall the check valve components, discharge manifold and elbows to the pump. The pump is now ready for operation.



# Air Distribution Valve Assembly Drawing S20 Design Level 2



### Main Air Valve Assembly Parts List

Item	Part Number	Description	Qty
1	031-140-000	Main Air Valve Assembly	1
1-A	031-139-000	Spool Assembly	1
1-B	095-094-551	Body, Air Valve	1
1-C	132-029-552	Bumper	2
1-D	165-096-551	Cap, Muffler	1
1-E	165-115-552	Cap, End	2
1-F	530-028-550	Muffler	1
1-G	560-020-360	O-Ring	8
1-H	675-044-115	Ring, Retaining	2
1-J	710-015-115	Screw, Self-tapping	4

### For pumps equipped with PTFE Coated Hardware

1	031-140-002	Air Valve Assembly (Includes all items used on 031-140-000 except:)	1
1-J	710-015-308	Screw Self tapping	4
1-H	675-044-308	Retaining Ring	2

### For pumps equipped with PTFE coated hardware option:

1	031-141-000	Air Valve Assembly (Includes all items used on 031-140-000 minus items 1-D, 1-F & 1-J)	1
---	-------------	---	---

### For pumps with alternate Mesh or Sound Dampening mufflers or piped exhaust:

1	031-141-002	Air Valve Assembly (Includes all items used on 031-141-000 except:)	1
1-H	675-044-308	Ring, Retaining	2

## AIR DISTRIBUTION VALVE SERVICING

To service the air valve first shut off the compressed air, bleed the pressure from the pump, and disconnect the air supply line from the pump.

**STEP #1:** See Composite Repair and Parts Drawing.

Using a  $\frac{5}{16}$ " Allen wrench, remove the four hex socket capscrews (item 15) and four flat washers (item 42). Remove the air valve assembly from the pump.

Remove and inspect gasket (item 24) for cracks or damage. Replace gasket if needed.

**STEP #2:** Disassembly of the air valve.

To access the internal air valve components first remove the two retaining rings (item 1-H) from each end of the air valve assembly using clip ring pliers.

Next remove the two end caps (item 1-E). Inspect the o-rings (item 1-G) for cuts or wear. Replace the o-rings if necessary.

Remove the two bumpers (item 1-C). Inspect the bumpers for cuts, wear or abrasion. Replace if necessary.

Remove the spool (part of item 1-A) from the sleeve. Be careful not to scratch or damage the outer diameter of the spool. Wipe spool with a soft cloth and inspect for scratches or wear.

Inspect the inner diameter of the sleeve (part of item 1-A) for dirt, scratches, or other contaminants. Remove the sleeve if needed and replace both the sleeve and spool with a new sleeve and spool set (item 1-A).

**STEP #3:** Reassembly of the air valve.

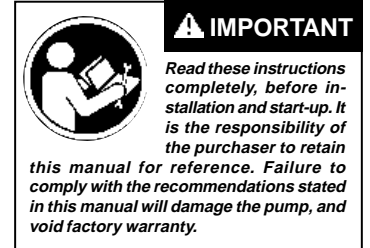
Install one end cap (item 1-E) with an o-ring (item 1-G) and one bumper (item 1-C) into one end of the air valve body (item 1-B). Install one retaining ring (item 1-H) into the groove on the same end.

Remove the new sleeve and spool set (item 1-A) from the plastic bag. Carefully remove the spool from the sleeve. Install the six o-rings (item 1-G) into the six grooves on the sleeve. Apply a light coating of grease to the o-rings before installing the sleeve into the valve body (item 1-B), align the slots in the sleeve with the slots in the valve body. Insert the spool into the sleeve. Be careful not to scratch or damage the spool during installation. Push the spool in until it touches the bumper on the opposite end.

Install the remaining bumper, end cap with o-ring, and retaining ring.

Fasten the air valve assembly (item 1) and gasket (item 24) to the pump.

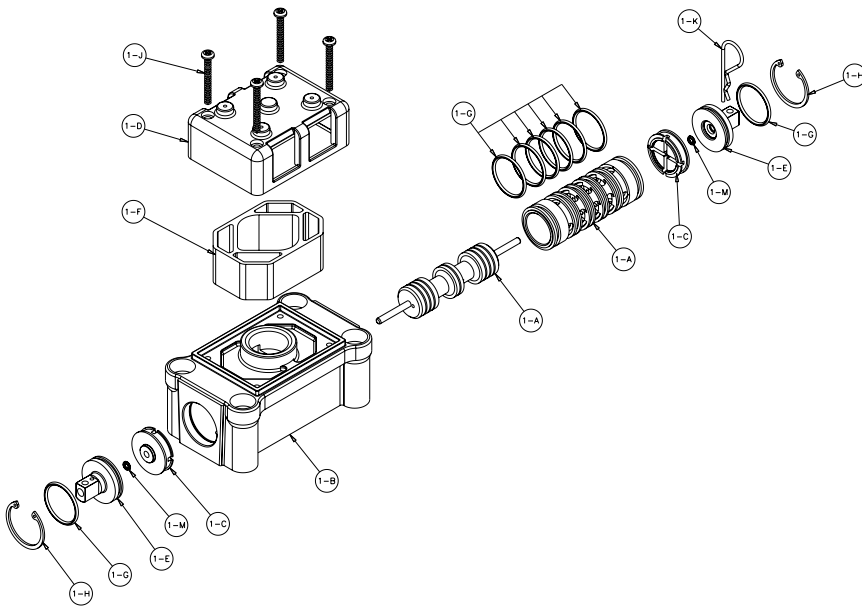
Connect the compressed air line to the pump. The pump is now ready for operation.



# Air Valve Assembly Drawing with Stroke Indicator Option

## S20 Design Level 2

Note: Stroke Indicator is standard on RuppGUARD™ Spill Prevention models



### Pilot Valve Assembly Parts List

Item	Part Number	Description	Qty
1	031-146-000	<b>Air Valve Assembly</b>	1
1-A	031-143-000	Sleeve and Spool Set w/Pins	1
1-B	095-094-551	Body, Air Valve	1
1-C	132-029-552	Bumper	2
1-D	165-096-551	Cap, Muffler	1
1-E	165-098-147	Cap, End	2
1-F	530-028-550	Muffler	1
1-G	560-020-360	O-Ring	8
1-H	675-044-115	Ring, Retaining	2
1-I	710-015-115	Screw, Self-Tapping	4
1-K	210-008-330	Clip, Safety	1
1-M	560-029-360	O-Ring	2

### For Pumps with PTFE Coated Hardware:

1	031-146-002	Air Valve Assembly	1
1-J	710-015-308	Screw, Self Tapping	4

(includes all other items on 031-146-000 above.)

### For Pumps with Alternate Mesh, Sound Dampening Mufflers or Piped Exhaust:

1	031-147-000	Air Valve Assembly	1
---	-------------	--------------------	---

(includes all items on 031-146-000 minus 1-D, 1-F, & 1-J)

### AIR DISTRIBUTION VALVE WITH STROKE INDICATOR OPTION SERVICING

To service the air valve first shut off the compressed air, bleed the pressure from the pump, and disconnect the air supply line from the pump.

**STEP #1:** See Composite Repair and Parts Drawing.

Using a  $\frac{5}{16}$ " Allen wrench, remove the four hex socket capscrews (item 15) and four flat washers (item 42). Remove the air valve assembly from the pump.

Remove and inspect gasket (item 24) for cracks or damage. Replace gasket if needed.

**STEP #2:** Disassembly of the air valve.

To access the internal air valve components first remove the two retaining rings (item 1-H) from each end of the air valve assembly using clip ring pliers.

Next remove the two end caps (item 1-E). Inspect the o-rings (item 1-G) for cuts or wear. Replace the o-rings if necessary.

Remove the two bumpers (item 1-C). Inspect the bumper for cuts, wear or abrasions. Replace if necessary.

Remove the spool (part of item 1-A) from the sleeve. Be careful not to scratch or damage the outer diameter of the spool. Wipe spool with a soft cloth and inspect for scratches or wear.

Inspect the inner diameter of the sleeve (part of item 1-A) for dirt, scratches, or other contaminates. Remove the sleeve if needed and replace both the sleeve and spool with a new sleeve and spool set (item 1-A).

**STEP #3:** Reassembly of the air valve.

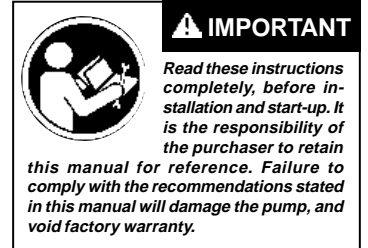
Install one bumper (item 1-C) and one end cap (item 1-E) with an o-ring (item 1-G) into one end of the air valve body (item 1-B). Install one retaining ring (item 1-H) into the groove on the same end. Insert the safety clip (item 1-K) through the small unthreaded hole in the end cap.

Remove the new sleeve and spool set (item 1-A) from the plastic bag. Carefully remove the spool from the sleeve. Install the six o-rings (item 1-G) into the six grooves on the sleeve. Apply a light coating of grease to the o-rings before installing the sleeve into the valve body (item 1-B), align the slots in the sleeve with the slots in the valve body. Insert the spool into the sleeve. Be careful not to scratch or damage the spool during installation. Push the spool in until the pin touches the safety clip on the opposite end.

Install the remaining bumper, end cap with o-ring, and retaining ring.

Fasten the air valve assembly (item 1) and gasket (item 24) to the pump.

Connect the compressed air line to the pump. The pump is now ready for operation.



# Solenoid Shifted Air Valve Drawing

## SOLENOID SHIFTED AIR VALVE PARTS LIST

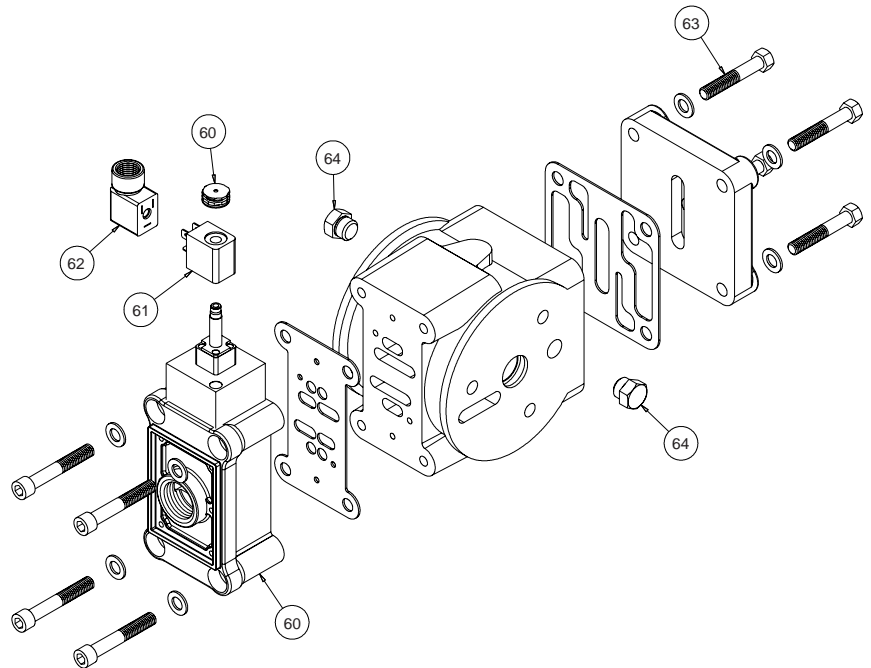
(Includes all items used on Composite Repair Parts List except as shown)

ITEM	PART NUMBER	DESCRIPTION	QTY
60	893-097-000	Solenoid Valve, NEMA4	1
61	219-001-000	Solenoid Coil, 24VDC	1
	219-004-000	Solenoid Coil, 24VAC/12VDC	1
	219-002-000	Solenoid Coil, 120VAC	1
	219-003-000	Solenoid Coil, 240VAC	1
	241-001-000	Connector, conduit	1
63	170-061-115	Capscrew, Hex HD 3/8-16 x 1.75	4
64	618-052-506	Plug	2

### For Explosion Proof Solenoid Valve

(Connector not required for explosion proof coil; coil is integral with valve)

60	893-098-001	Solenoid Valve, NEMA 7/9, 24VDC	1
	893-098-002	Solenoid Valve, NEMA 7/9, 24VAC/12VDC	1
	893-098-003	Solenoid Valve, NEMA 7/9, 120VAC	1
	893-098-004	Solenoid Valve, NEMA 7/9, 220VAC	1



### SOLENOID SHIFTED AIR DISTRIBUTION VALVE OPTION

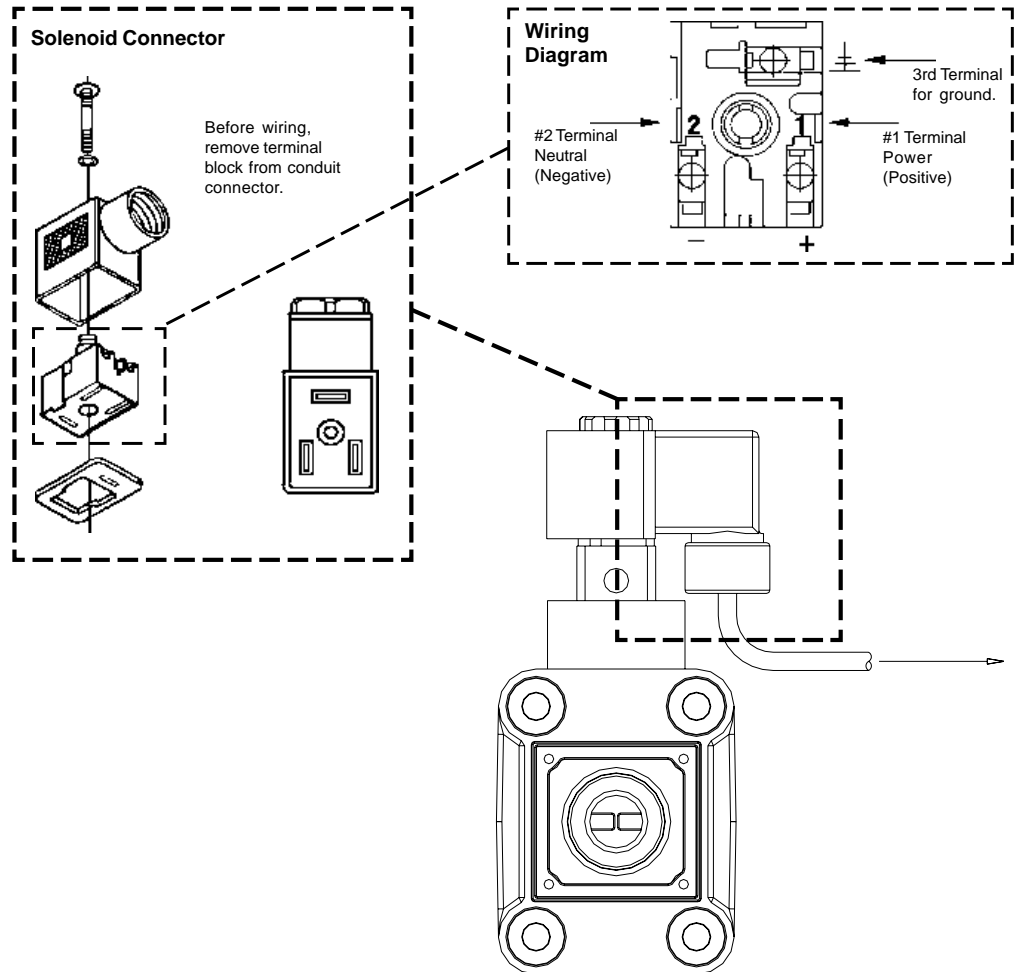
Warren Rupp's solenoid shifted, air distribution valve option utilizes electrical signals to precisely control your SANDPIPER's speed. The solenoid coil is connected to a customer - supplied control. Compressed air provides the pumping power, while electrical signals control pump speed (pumping rate).

### OPERATION

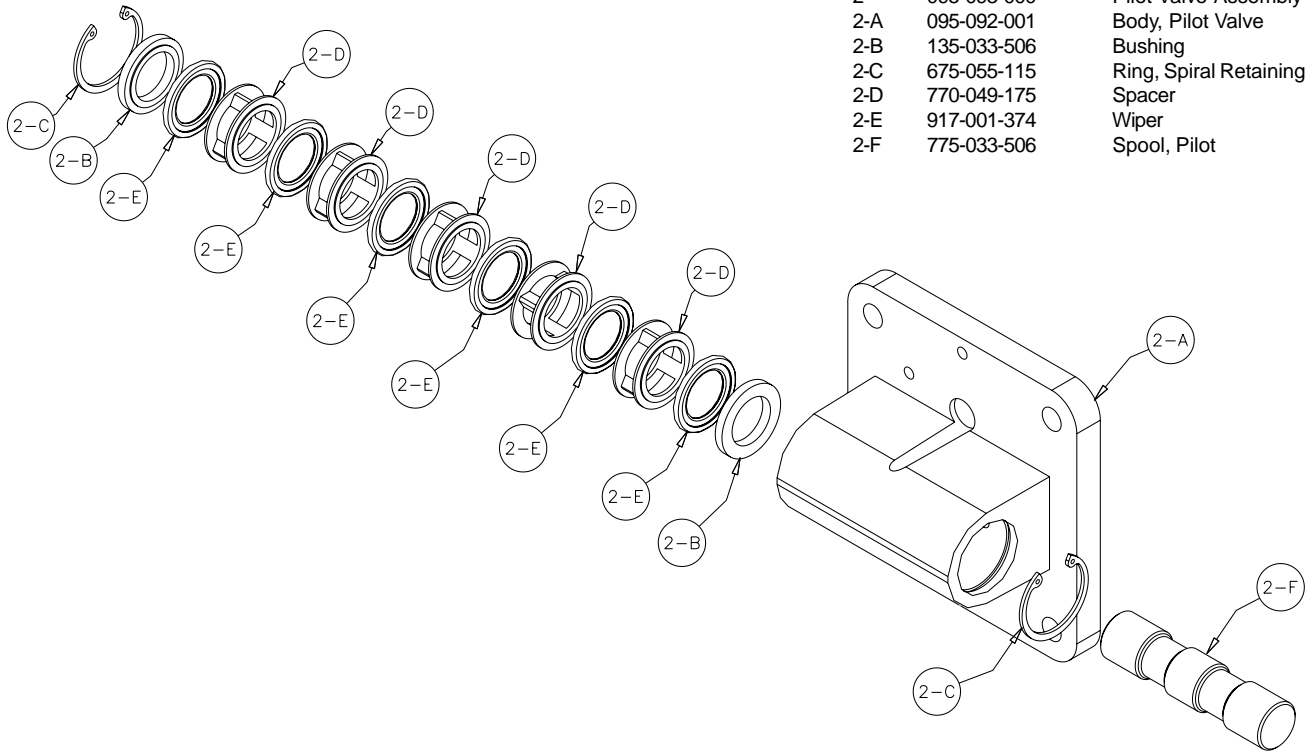
The Solenoid Shifted SANDPIPER has a solenoid operated, air distribution valve in place of the standard SANDPIPER's pilot operated, air distribution valve. Where a pilot valve is normally utilized to cycle the pump's air distribution valve, an electric solenoid is utilized. As the solenoid is powered, one of the pump's air chambers is pressurized while the other chamber is exhausted. When electric power is turned off, the solenoid shifts and the pressurized chamber is exhausted while the other chamber is pressurized. By alternately applying and removing power to the solenoid, the pump cycles much like a standard SANDPIPER pump, with one exception. This option provides a way to precisely control and monitor pump speed.

### BEFORE INSTALLATION

Before wiring the solenoid, make certain it is compatible with your system voltage.



# Pilot Valve Assembly Drawing



## Pilot Valve Assembly Parts List

Item	Part Number	Description	Qty
2	095-093-000	Pilot Valve Assembly	1
2-A	095-092-001	Body, Pilot Valve	1
2-B	135-033-506	Bushing	2
2-C	675-055-115	Ring, Spiral Retaining	2
2-D	770-049-175	Spacer	5
2-E	917-001-374	Wiper	6
2-F	775-033-506	Spool, Pilot	1

## PILOT VALVE SERVICING

To service the pilot valve first shut off the compressed air supply, bleed the pressure from the pump, and disconnect the air supply line from the pump. Insert the safety clip (item 1-N from Air Distribution Valve assembly drawing) into the smaller unthreaded holes in the end cap (item 1-C from air distribution valve assembly drawing).

**Step #1:** See PUMP ASSEMBLY DRAWING.

Using a  $\frac{9}{16}$ " wrench or socket, remove the four capscrews (items 9) and four flat washers (items 42). Remove the air inlet cap (item 8) and air inlet gasket (item 21). The pilot valve assembly (item 2) can now be removed for inspection or service.

**Step #2:** Disassembly of the pilot valve.

Remove the pilot valve spool (item 2-F). Wipe clean, and inspect for dirt, scratches or wear. Replace the spool if necessary.

Remove the two retaining rings (items 2-C) from each end of the pilot valve body using clip ring pliers.

Remove the two pilot valve bushings (items 2-B), five spacers (items 2-D), and six spool wipers (items 2-E) by pushing gently from other end of the pilot valve body. Inspect the wipers for cuts and/or wear. Replace any wipers as necessary.

**Step #3:** Re-assembly of the pilot valve.

First install a spiral retaining ring to one end of the pilot valve body. Install one bushing making sure the step side faces toward the wiper. Apply a light coating of grease to the outside diameter of each wiper. Next, gently push in the wipers and spacers until they are against the installed retaining ring in the opposite end of the pilot valve body. Install the remaining bushing making sure the step side faces the wiper. Install the remaining retaining ring using clip ring pliers.

Apply a light coating of grease to the inner diameter of each wiper. Also apply a light coating of grease to the outer diameter of the pilot valve spool and gently push the spool through each wiper.

**Step #4:** Inspect the actuator plungers.

See PUMP ASSEMBLY DRAWING.

The actuator plungers (items 31) can be reached through the stem cavity of the pilot valve in the intermediate assembly (item 4).

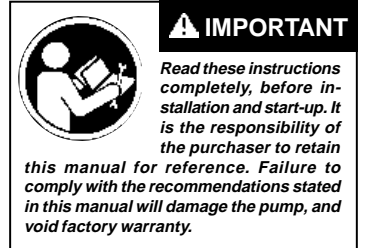
Remove the plungers (items 31) from the bushings (item 7) in each end of the cavity. Inspect the installed o-ring (items 28) for cuts and/or wear. Replace the o-rings if necessary. Apply a light coating of grease to each o-ring and re-install the plungers in to the bushings. Push the plungers in as far as they will go.

**Step #5:** Re-install the pilot valve assembly into the intermediate assembly.

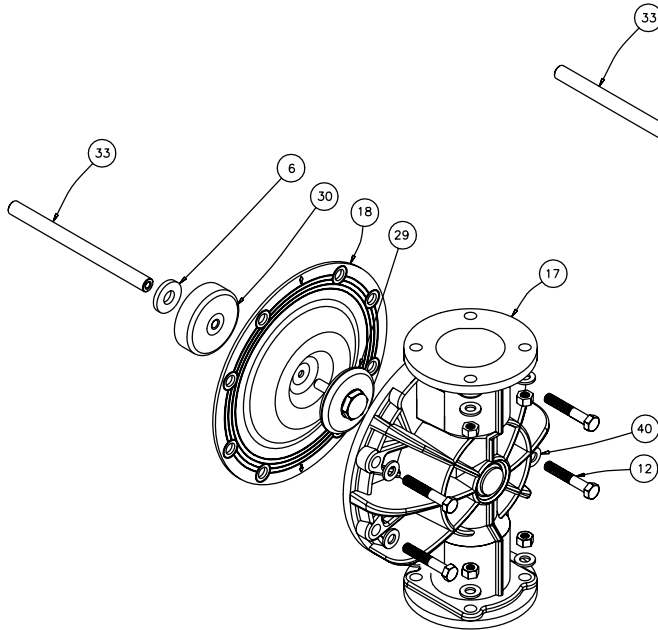
Be careful to align the ends of the stem between the plungers when inserting the stem of the pilot valve into the cavity of the intermediate.

Re-install the gasket (item 21), air inlet cap (item 8), capscrews and washers (items 9 and 42).

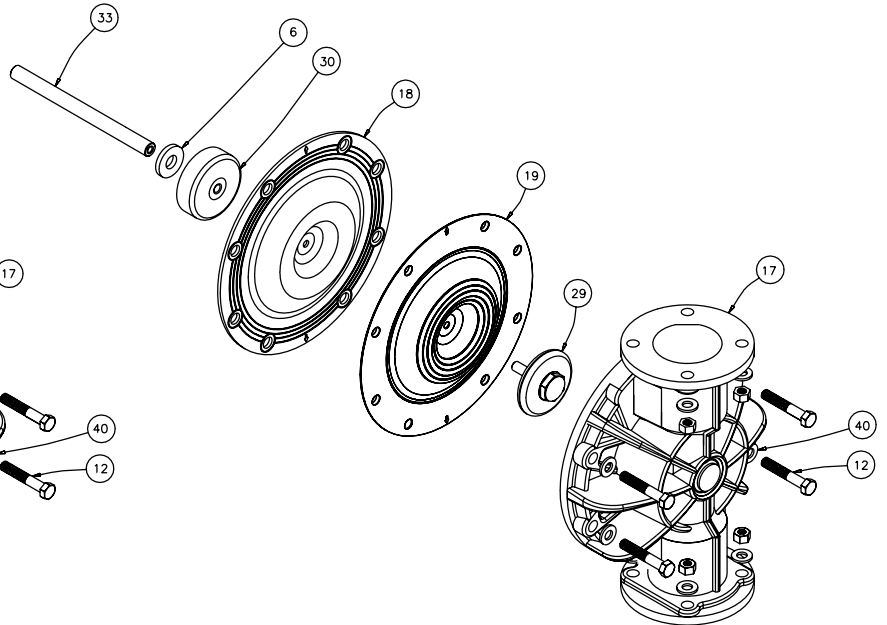
Connect the air supply to the pump. Remove the safety clip (item 1-N) from the end cap (item 1-C). The pump is now ready for operation.



## Diaphragm Service Drawing, Non-Overlay



## Diaphragm Service Drawing, with Overlay



## DIAPHRAGM SERVICING

To service the diaphragms first shut off the suction, then shut off the discharge lines to the pump. Shut off the compressed air supply, bleed the pressure from the pump, and disconnect the air supply line from the pump. Drain any remaining liquid from the pump.

**Step #1:** See the pump composite repair parts drawing, and the diaphragm servicing illustration.

Using a  $\frac{9}{16}$ " wrench or socket, remove the 16 capscrews (items 10), hex nuts and washers that fasten the elbows (items 20) to the outer chambers (items 17). Remove the elbows with the manifolds and spacers attached.

**Step #2:** Removing the outer chambers.

Using a  $\frac{9}{16}$ " wrench or socket, remove the 16 capscrews (items 11 & 12), hex nuts and washers that fasten the outer chambers, diaphragms, and inner chambers (items 16) together.

**Step #3:** Removing the diaphragm assemblies.

Use a  $1\frac{3}{8}$ " (35mm) wrench or six pointed socket to remove the diaphragm assemblies (outer plate, diaphragm, and inner plate) from the diaphragm rod (item 33) by turning counterclockwise.

Insert a 1/4-20 capscrew or set screw into the smaller tapped hole in the inner diaphragm plate (item 30). Insert the protruding stud and the 1/4-20 fastener

loosely into a vise. Use a  $1\frac{3}{8}$ " wrench or socket to remove the outer diaphragm plate (item 29) by turning counterclockwise. Inspect the diaphragm (item 18) for cuts, punctures, abrasive wear or chemical attack. Replace the diaphragms if necessary.

**Step #4:** Installing the diaphragms.

Push the threaded stud of the outer diaphragm plate through the center hole of the diaphragm. Thread the inner plate clockwise onto the stud. Use a torque wrench to tighten the diaphragm assembly together to 480 in Lbs. (54.23 Newton meters). Allow a minimum of 15 minutes to elapse after torquing, then re-torque the assembly to compensate for stress relaxation in the clamped assembly.

**Step #5:** Installing the diaphragm assemblies to the pump.

Make sure the bumper (item 6) is installed over the diaphragm rod.

Thread the stud of the one diaphragm assembly clockwise into the tapped hole at the end of the diaphragm rod (item 33) until the inner diaphragm plate is flush to the end of the rod. Insert rod into pump.

Align the bolt holes in the diaphragm with the bolt pattern in the inner chamber (item 16). Make sure the molded directional arrows on the diaphragm point vertically.

Fasten the outer chamber (item 17) to the pump, using the capscrews (items 11 & 12), hex nuts and flat washers.

On the opposite side of the pump, pull the diaphragm rod out as far as possible. Make sure the bumper (item 6) is installed over the diaphragm rod.

Thread the stud of the remaining diaphragm assembly clockwise into the tapped hole at the end of the diaphragm rod (item 33) as far as possible and still allow for alignment of the bolt holes in the diaphragm with the bolt pattern in the inner chamber. The molded directional arrows on the diaphragm must point vertically.

Fasten the remaining outer chamber (item 17) to the pump, using the capscrews (items 11 & 12), hex nuts and flat washers.

**Step #6:** Re-install the elbow/spacer/manifold assemblies to the pump, using the capscrews (items 10), hex nuts and flat washers.

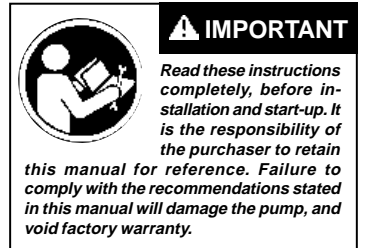
The pump is now ready to be re-installed, connected and returned to operation.

## OVERLAY DIAPHRAGM SERVICING

The PTFE overlay diaphragm (item 19) is designed to fit snugly over the exterior of the standard TPE diaphragm (item 18).

The molded directional arrows on the overlay diaphragm must point vertically.

Follow the same procedures described for the standard diaphragm for removal and installation.



### PUMPING HAZARDOUS LIQUIDS

When a diaphragm fails, the pumped liquid or fumes enter the air end of the pump. Fumes are exhausted into the surrounding environment. When pumping hazardous or toxic materials, the exhaust air must be piped to an appropriate area for safe disposal. See illustration #1 at right.

This pump can be submerged if the pump materials of construction are compatible with the liquid being pumped. The air exhaust must be piped above the liquid level. See illustration #2 at right. Piping used for the air exhaust must not be smaller than 1" (2.54 cm) diameter. Reducing the pipe size will restrict air flow and reduce pump performance. When the pumped product source is at a higher level than the pump (flooded suction condition), pipe the exhaust higher than the product source to prevent siphoning spills. See illustration #3 at right.

### CONVERTING THE PUMP FOR PIPING THE EXHAUST AIR

The following steps are necessary to convert the pump to pipe the exhaust air away from the pump.

Use a #8 Torx or flat screwdriver to remove the six self-tapping screws (item 1-J).

Remove the muffler cap and muffler (items 1-D and 1-F). The 1" NPT molded threads in the air distribution valve body (item 1-B).

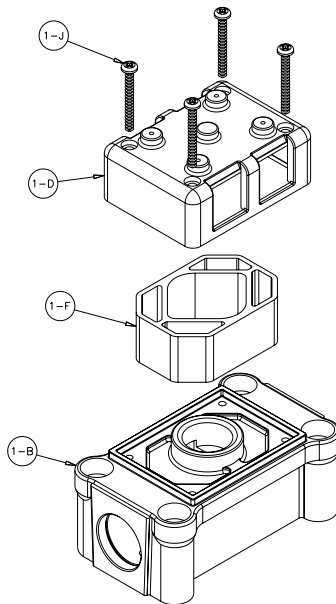
Piping or hose may now be installed.

### IMPORTANT INSTALLATION

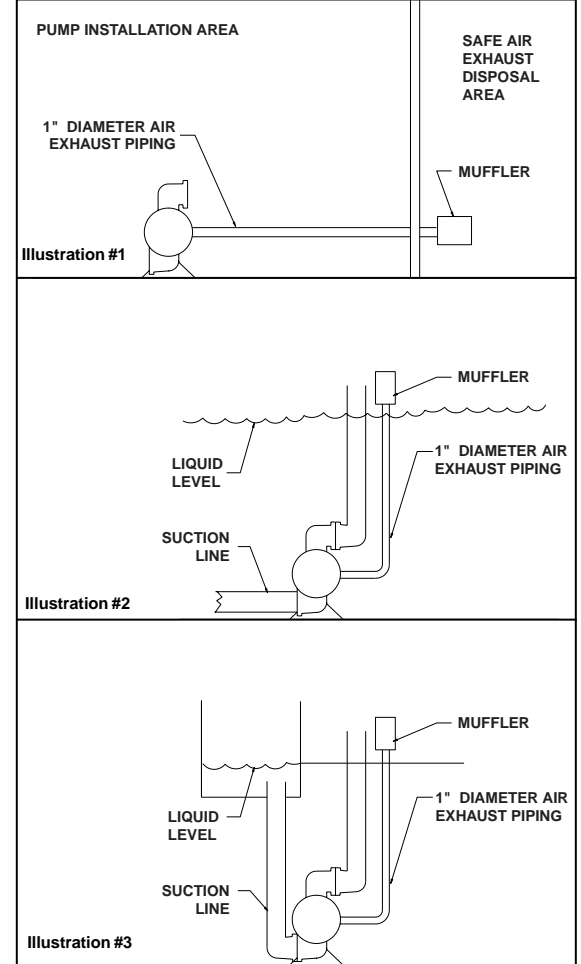
**NOTE:** The manufacturer recommends installing a flexible hose or connection between the pump and any rigid plumbing. This reduces stresses on the molded plastic threads of the air exhaust port. Failure to do so may result in damage to the air distribution valve body.

Any piping or hose connected to the pump's air exhaust port must be physically supported. Failure to support these connections could also result in damage to the air distribution valve body.

## Exhaust Conversion Drawing



### CONVERTED EXHAUST ILLUSTRATION



## MODULAR CHECK VALVE SERVICING

Before servicing the check valves, first shut off the suction line and then the discharge line to the pump. Next, shut off the compressed air supply, bleed air pressure from the pump, and disconnect the air supply line from the pump. Drain any remaining fluid from the pump. The pump can now be removed for service.

To access the modular check valve, remove the elbows (items 20 from pump composite repair parts drawing). Use a  $\frac{9}{16}$ " wrench or socket to remove the fasteners. Once the elbows are removed, the modular check valves can be seen in the cavities of the outer chamber (items 17).

Next remove the check valve seal (item 37). Inspect the seal for cuts or pinched areas. Replace seal as needed.

Disassemble the component parts of each modular check valve. Inspect the check valve retainer (item 32) for cuts, abrasive wear, or embedded materials. Replace as needed.

Inspect the check balls (items 3) for wear, abrasion, or cuts on the spherical surface. The check valve seats (items 38) should be inspected for cuts, abrasive wear, or embedded material on the surfaces of both the external and internal chamfers. The spherical surface of the check balls must seat flush to the surface of the inner chamfer on the check valve seats for the pump to operate to peak efficiency. Replace any worn or damaged parts as necessary.

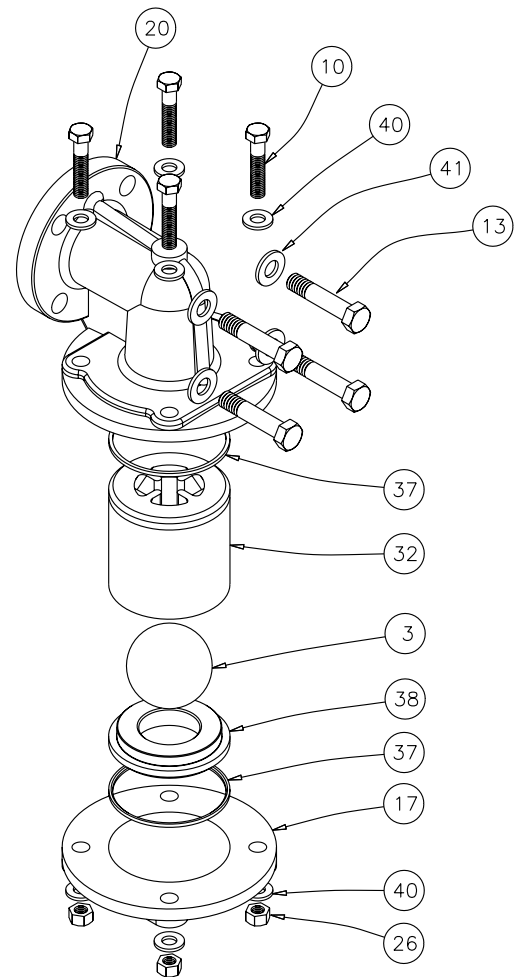
Remove the remaining check valve seal (item 37). Inspect the seal for cuts or pinched areas. Replace seal as needed.

Re-assemble the modular check valve. The seal should fit snugly into the retainer.

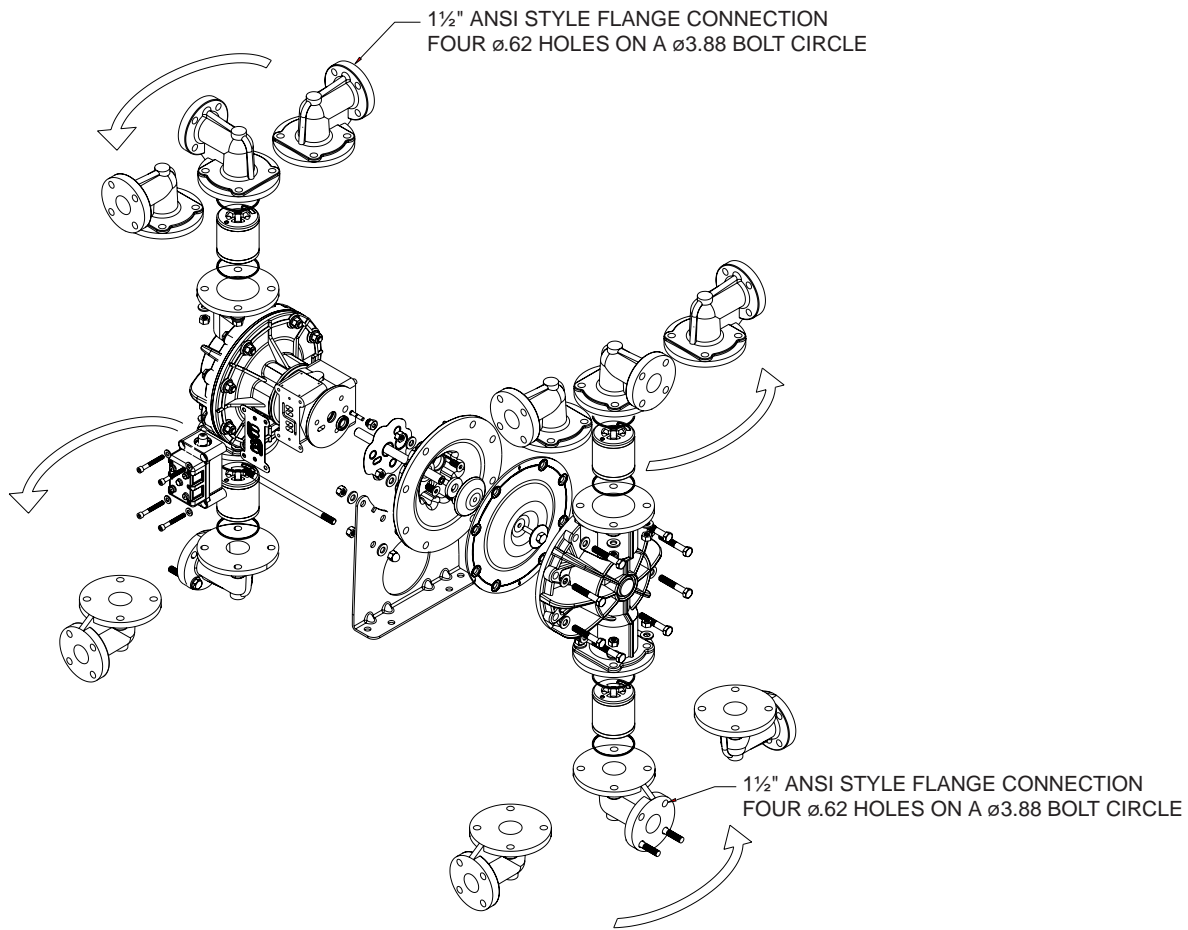
Place a check valve seal (item 37) into the cavity of the outer chamber (item 17). Make sure the chamfer side of the seal faces out. Insert the modular check valve into the outer chamber with the retainer facing up. Install a check valve seal (item 37). Make sure the chamfer side of the seal faces the chamfer on the check valve seat or retainer.

The pump can now be reassembled, reconnected and returned to operation.

## Modular Check Valve Drawing



## Dual Port Option Drawing



### DUAL PORTING OPTIONS

Several dual porting options are possible. The pump can be converted to a dual port arrangement on both the suction and the discharge ends. The porting can be configured to a single suction and a dual discharge. The porting can be changed to a dual suction and a single discharge.

The above changes are possible because the porting flange of the elbows (items 20) are designed to mate with standard 125# ANSI style 4-bolt, 2" pipe flanges.

#### Dual porting of both suction and discharge ends of the pump

Converting the pump from the standard single suction and discharge porting configuration to dual porting at each end is easy. Simply remove the manifold seals, spacers, and manifolds (items 36, 39, and 25 from pump assembly drawing) from the pump.

The discharge and suction elbows can be rotated at 90° increments (see arrows and optional positioning in the Dual Porting Drawing.)

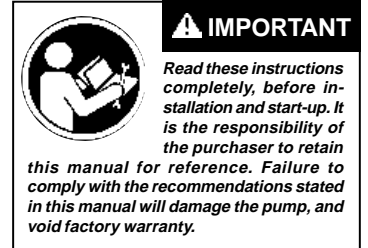
#### Single porting of the suction and dual porting of the pump discharge

To convert the pump from the standard single suction and single discharge porting configuration to a dual discharge porting arrangement remove the only the discharge manifolds, spacers, and manifold seals. Position the discharge elbows in the desired direction at 90° increments. (See arrows and optional positioning in the Dual Porting Drawing.)

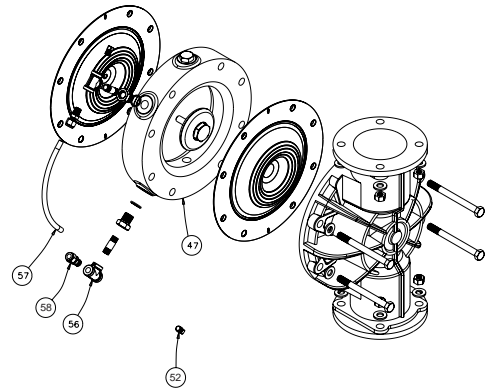
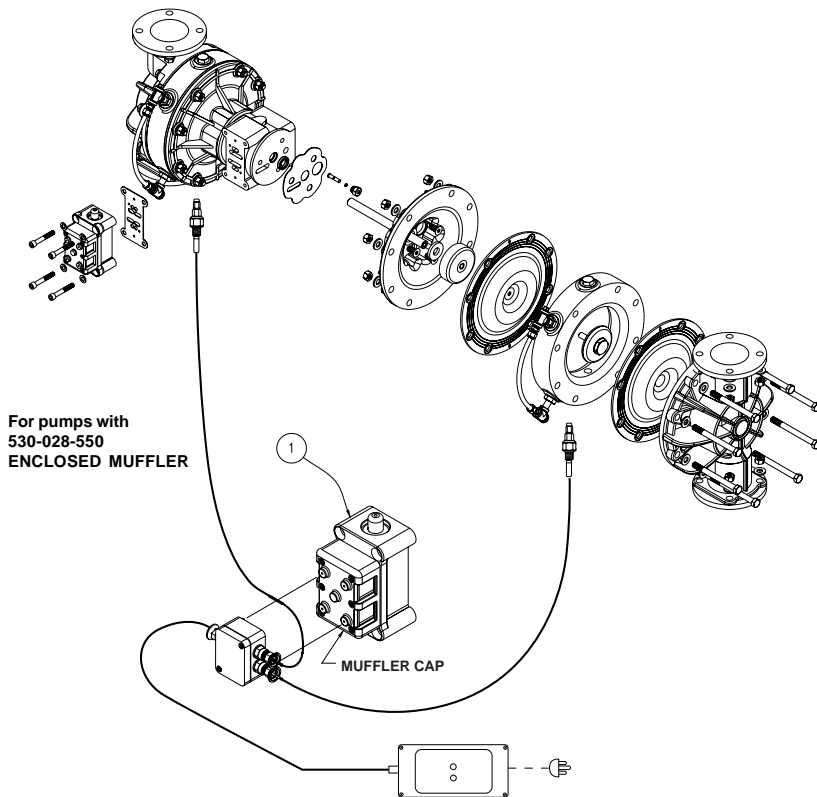
#### Dual porting of the suction and single porting of the pump discharge

To convert the pump from the standard single suction and single discharge porting configuration to a dual suction porting arrangement remove the only the suction (bottom) manifolds, spacers, and manifold seals.

Position the suction elbows in the desired direction at 90° increments. (See arrows and optional positioning in the Dual Porting Drawing.)



## RuppTech® Leak Detection Options Drawing



### RuppTech® LEAK DETECTION OPTION (ELECTRONIC)

Follow instructions found elsewhere in this manual, "Filling the RuppGUARD™ Spill Prevention Chambers" when installing leak detectors.

#### Electronic Leak Detector Installation

Kit 032-037-000	100VAC	50Hz
	or 110-120VAC	50/60Hz
	or 220-240VAC	50/60Hz
Kit 032-045-000	12-32VDC	

To install electronic leak detectors, remove the bottom ¼" NPT pipe plug on the visual sight tube (item 52). Insert leak detector into the ¼" pipe tee (item 56).

### LEAK DETECTION OPTION (MECHANICAL)

Follow instructions found elsewhere in this manual, "Filling the RuppGUARD™ Spill Prevention Chambers" when installing leak detectors.

#### Mechanical Leak Detector Installation

Kit 031-023-110

To install mechanical leak detectors, remove the bottom ¼" NPT pipe plug on the visual sight tube (item 52). Insert leak detector into the ¼" pipe tee (item 56).

# RuppTech® Pulse Output Kit Drawing

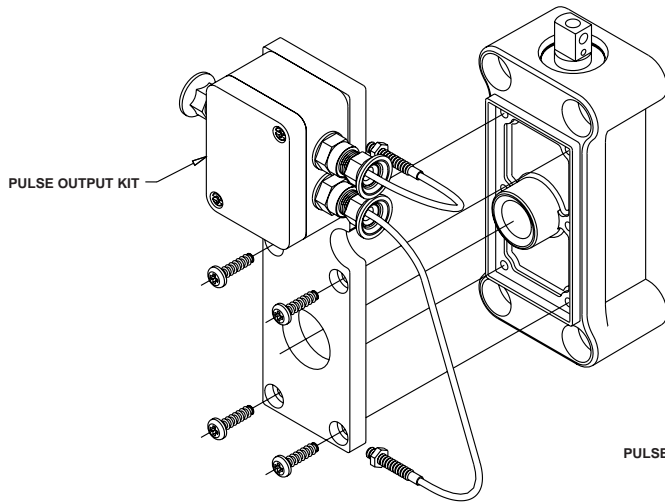
## PULSE OUTPUT KIT OPTION

This pump can be fitted with a Pulse Output Kit. This converts the mechanical strokes of the pump to an electrical signal which interfaces with the RuppTech® Stroke Counter/ Batch Controller or user control devices such as a PLC.

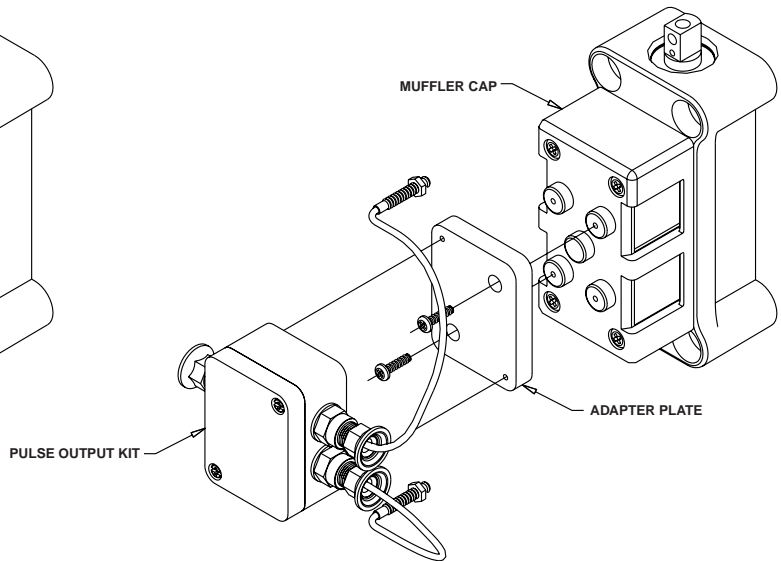
The Pulse Output Kits mount directly onto the Muffler Cap on the Air Distribution Valve Assembly or onto the Air Distribution Valve Assembly when the threaded exhaust port or an auxiliary muffler is being used.

See the individual kits listed on the Pump Repair Parts List for further information.

## Exhaust Port or Auxiliary Muffler Setup



## Integral Muffler Setup



Declaration of Conformity

Declaration of Conformity

**WARREN  
RUPP®**

**IDEX**  
IDEX CORPORATION

### Declaration of Conformity

**Warren Rupp, Inc., 800 North Main Street, Mansfield, Ohio,** certifies that Air-Operated Double Diaphragm Metallic Pumps Series: HDB, HDF, S Non-Metallic, S Metallic, Containment Duty, Gas, UL, High Pressure, W, Submersible and Tranquilizers comply with the European Community Directive 98/37/EC, Safety of Machinery. This product has used EN 809, Pumps and Pump Units for Liquids - Common Safety Requirements harmonized standard to verify conformance.

*David Roseberry*

Signature of authorized person

October 20, 2005

Date of issue

David Roseberry

Printed name of authorized person

Engineering Manager

Title

CE